

▼ From left to right: S3000, S6000, S1500



Rigid Steel Design

The *Professional* Square Drive Solution

Simplicity

- 360° click-on, multi-position reaction arm
- Push button square drive release for quickly reversing the square drive for tightening or loosening
- Fine tooth ratchet prevents tool “lock-on”
- Single 360° hydraulic swivel manifold, complete with screw lock couplings, increases wrench and hose maneuverability

Design

- Compact, high-strength uni-body construction for a small operating radius
- Robust design with minimal parts enables easy on-site maintenance without special tools
- Lightweight, ergonomic design for easy handling and an easy fit, even in applications where access is limited
- Optimised strength-to-weight ratio
- Fast operation due to the large nut rotation per wrench cycle (35 degree rotation angle) and rapid return stroke

Reliability

- All wrenches are nickel-plated for excellent corrosion protection and improved durability in harsh environments

Accuracy

- Constant torque output provides high accuracy across the full stroke
- Uni-body construction ensures accuracy by reducing internal deflections



S-Series, Square Drive Wrenches

This product range has been designed using state-of-the-art CAD techniques to bring you the most advanced square drive torque wrench on the market.

To ensure that the tools you buy meet our own exacting requirements, during the design process every prototype was put through finite element stress analysis, photo-elastic modeling, rigorous cyclic testing and strain gauging.



TSP - Pro Series Swivel

Featuring Tilt & Swivel technology the TSP provides 360° X-axis rotation and 160° y-axis rotation.

How to Order

Order an accessory which can be fitted to existing S-Series wrenches.

Factory fitted to new S-Series wrenches: Suffix the wrench model number with "-P" e.g.: **S1500-P**.

Page: **9**

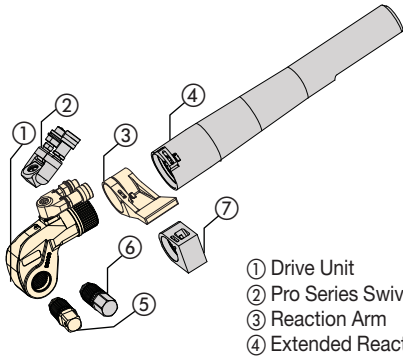


Torque Wrench Hoses

Use Enerpac THQ-700 Series torque wrench hoses with S-Series torque wrenches to ensure the integrity of your hydraulic system.

19.5 feet long, 2 hoses	THQ-706T
39 feet long, 2 hoses	THQ-712T

Double-Acting Square Drive Hydraulic Torque Wrenches



- ① Drive Unit
- ② Pro Series Swivel
- ③ Reaction Arm
- ④ Extended Reaction Arm
- ⑤ Square Drive
- ⑥ Allen Drive
- ⑦ Short Reaction Arm

Select the Right Torque
250%
 Choose your Enerpac Torque Wrench using the untightening rule of thumb: Loosening torque equals about 250% of tightening torque.

S Series



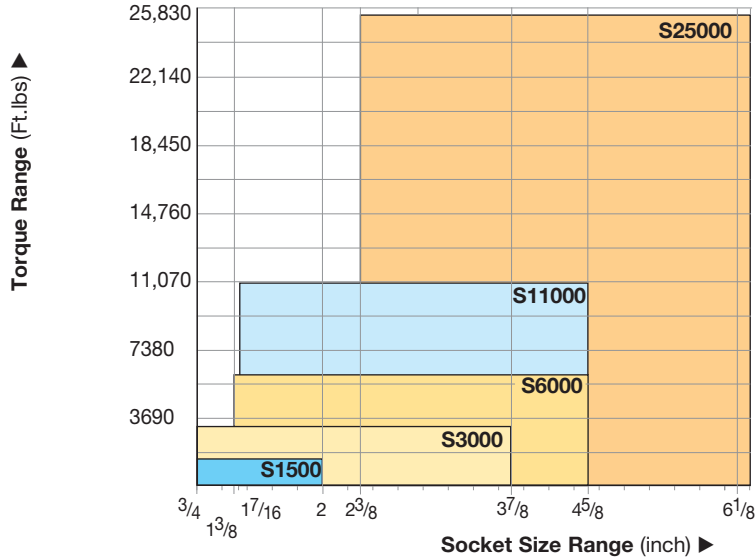
Maximum Torque at 10,000 psi:
25,140 Ft.lbs

Square Drive Range:
3/4-2 1/2 inches

Nose Radius:
.99-2.50 inches

Maximum Operating Pressure:
10,000 psi

*TORQUE WRENCH SELECTION (based on socket size range)



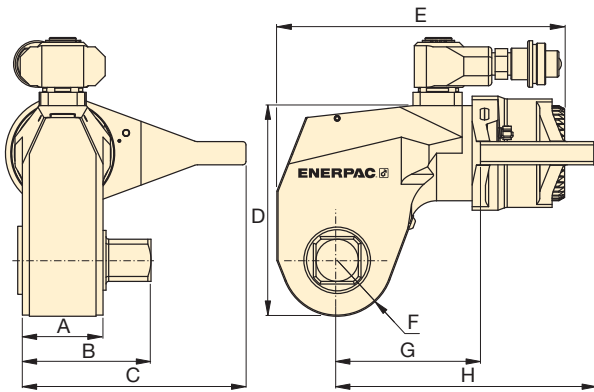
* Additional socket sizes available upon request.



Torque Wrench and Pump Selection Matrix



For optimum speed and performance see the torque wrench and pump matrix.

Page: 30



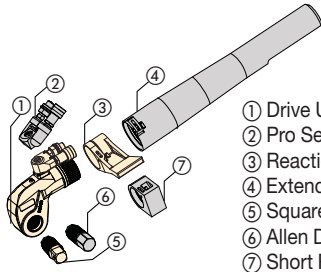
The rigid steel design of S-Series torque wrenches guarantee durability, reliability and safety. These wrenches can be powered by the portable ZU4T-Series pumps.



Maximum Torque at 10,000 psi		Square Drive		Torque Wrench Model No.	Dimensions (in)								Weight (lbs)	
		Size (in)	Model No. (included with wrench)		A	B	C	D	E	F	G	H		
(Ft.lbs)	(Nm)													
1400	1898	3/4"	SD15-012	S1500	1.54	2.48	4.33	3.74	5.36	0.99	2.72	4.69	5.94	
3200	4339	1"	SD30-100	S3000	1.89	3.03	5.28	4.96	6.78	1.30	3.55	6.27	11.00	
6010	8144	1 1/2"	SD60-108	S6000	2.24	3.55	7.05	6.38	7.92	1.66	4.41	7.37	18.70	
11,000	14,914	1 1/2"	SD110-108	S11000	2.80	4.37	7.22	7.29	8.90	1.95	5.20	8.94	33.00	
25,140	34,079	2 1/2"	SD250-208	S25000	3.43	5.63	9.61	9.46	11.50	2.50	7.17	11.50	68.20	

See "Yellow Pages" section for torque conversions.

To order a S-series wrench fitted with the TSP swivel, suffix the model number with "-P". e.g., S1500-P.



- ① Drive Unit
- ② Pro Series Swivel
- ③ Reaction Arm
- ④ Extended Reaction Arm
- ⑤ Square Drive
- ⑥ Allen Drive
- ⑦ Short Reaction Arm

Maximum Torque at 10,000 psi:

25,140 Ft.lbs.

Square Drive Range:

3/4-2 1/2 inches



Hexagon Size Allen Drive:

14-85 mm

For
S
Series



▼ SELECTION CHART

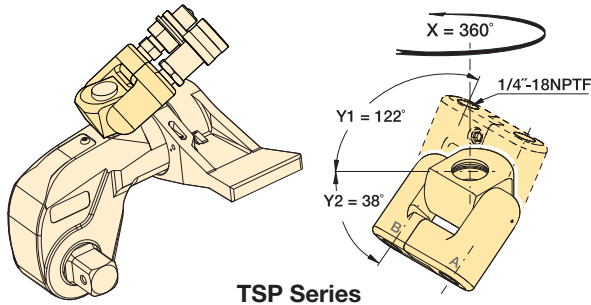
TORQUE WRENCH	OPTIONAL ALLEN DRIVES, IMPERIAL				OPTIONAL ALLEN DRIVES, METRIC				SHORT REACTION ARM FOR ALLEN DRIVES			
	Model Number	Hexagon Size (in)	Maximum Torque (Ft.Lbs)	Model Number	Dim. B1 (in)	Hexagon Size (mm)	Maximum Torque (Ft.lbs)	Model Number	Dim. B1 (in)	Model Number	Dimensions (in) C1 H1	
 S1500 (1400 Ft-lbs)		1/2	355	SDA15-008	2.6	14	475	SDA15-14	2.60	 SRA15	2.66	2.56
		5/8	690	SDA15-010	2.6	17	850	SDA15-17	2.68			
		3/4	1195	SDA15-012	2.8	19	1184	SDA15-19	2.76			
		7/8	1400	SDA15-014	2.9	22	1399	SDA15-22	2.87			
		1	1400	SDA15-100	3.0	24	1399	SDA15-24	2.91			
S3000 (3200 Ft-lbs)		5/8	690	SDA30-010	3.0	17	850	SDA30-17	3.03	SRA30	3.15	2.91
		3/4	1195	SDA30-012	3.1	19	1185	SDA30-19	3.11			
		7/8	1895	SDA30-014	3.3	22	1835	SDA30-22	3.23			
		1	2825	SDA30-100	3.4	24	2385	SDA30-24	3.31			
		1 1/8	3200	SDA30-102	3.5	27	3200	SDA30-27	3.35			
		1 1/4	3200	SDA30-104	3.5	30	3200	SDA30-30	3.43			
S6000 (6000 Ft-lbs)		5/8	690	SDA60-010	3.3	17	850	SDA60-17	3.39	SRA60	3.60	3.50
		3/4	1195	SDA60-012	3.5	19	1185	SDA60-19	3.46			
		7/8	1895	SDA60-014	3.6	22	1835	SDA60-22	3.58			
		1	2825	SDA60-100	3.7	24	2385	SDA60-24	3.66			
		1 1/8	4025	SDA60-102	3.8	27	3395	SDA60-27	3.70			
		1 1/4	5520	SDA60-104	3.9	30	4655	SDA60-30	3.78			
S11000 (11,000 Ft-lbs)		1 1/4	5520	SDA110-104	4.5	30	4655	SDA110-30	4.41	SRA110	5.02	4.17
		1 3/8	7345	SDA110-106	4.6	32	5650	SDA110-32	4.49			
		1 1/2	9535	SDA110-108	4.6	36	8040	SDA110-36	4.61			
		1 5/8	11,000	SDA110-110	4.8	41	11,000	SDA110-41	4.76			
		1 3/4	11,000	SDA110-112	4.9	46	11,000	SDA110-46	5.00			
S25000 (25,000 Ft-lbs)		1 1/2	9535	SDA250-108	5.5	36	8040	SDA250-36	5.51	SRA250	6.24	5.31
		1 5/8	12,120	SDA250-110	5.7	41	11880	SDA250-41	5.67			
		1 3/4	15,135	SDA250-112	5.8	46	16775	SDA250-46	5.83			
		1 7/8	18,620	SDA250-114	5.9	50	21,545	SDA250-50	5.94			
		2	22,595	SDA250-200	5.9	55	25,150	SDA250-55	6.06			
		2 1/4	25,150	SDA250-204	6.0	60	25,150	SDA250-60	6.22			
		-	-	-	-	65	25,150	SDA250-65	6.34			
		-	-	-	-	70	25,150	SDA250-70	6.46			
		-	-	-	-	75	25,150	SDA250-75	6.61			
	-	-	-	-	85	25,150	SDA250-85	6.89				

Accessories for S-Series Torque Wrenches

TSP-Series, Pro Series Swivels

- Featuring Tilt and Swivel technology
- 360° X-axis and 160° Y-axis rotation
- Increases tool fit in restricted access areas
- Simplifies hose placement

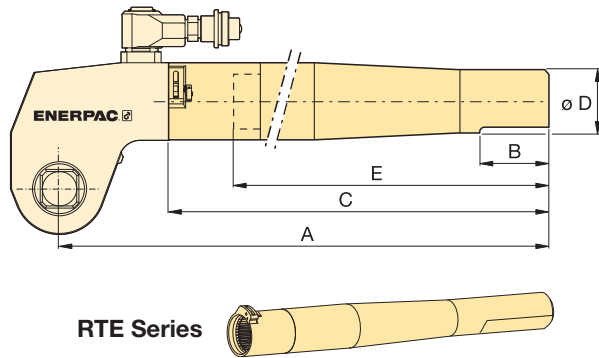
**TSP
RTE
SRS
Series**



Torque Wrench Model Number	Model Number	Maximum Pressure (psi)	Wt. (lbs)
S1500, S3000	TSP100	10,000	0.4
S6000, S11000, S25000	TSP200	10,000	0.4

To order an S-series wrench fitted with the TSP swivel, add suffix "P" to the model number. Example: **S1500-P**.

RTE-Series, Reaction Tube Extensions



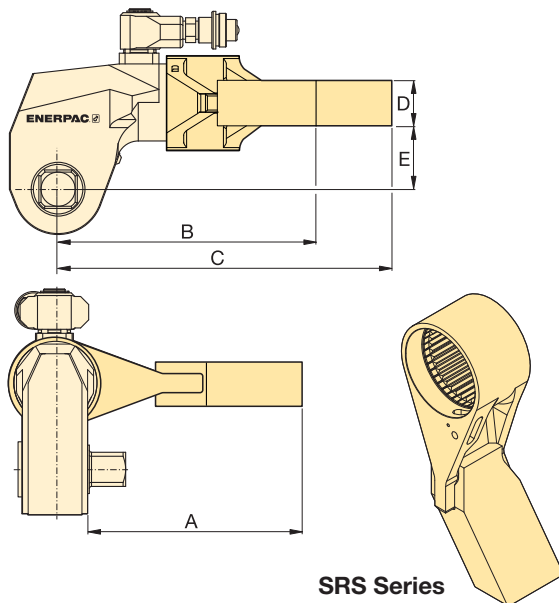
- Full torque rated
- Increases tool fit in restricted access areas

Torque Wrench Model Number	Model Number	Dimensions (in)					Wt. (lbs)*
		A	B	C	D	E	
S1500	RTE15	27.80	5.98	25.04	2.28	23.62	10.1
S3000	RTE30	28.86	5.98	25.47	2.24	23.62	12.1
S6000	RTE60	29.41	5.98	25.94	2.56	23.62	17.0
S11000	RTE110	30.28	5.98	26.57	2.99	23.62	24.7
S25000	RTE250	32.01	5.98	26.97	3.94	23.62	38.1

* Weights indicated are for the accessories only and do not include the wrench.

SRS-Series, Extended Reaction Arms

- Lightweight interchangeable design



Wrench Model	Max. Torque (Ft-lbs)	Model Number	Dimensions (in)					Wt. (lbs)*
			A	B	C	D	E	
S1500	1328	SRS151	3.81	3.43	5.04	0.94	1.34	1.8
	1210	SRS152	4.80	3.86	5.47	0.94	1.34	2.2
	1131	SRS153	5.79	4.29	5.90	0.94	1.34	2.6
S3000	2890	SRS301	4.37	4.09	6.69	1.34	1.89	3.5
	2738	SRS302	5.39	4.69	7.28	1.34	1.89	4.4
	2636	SRS303	6.38	5.24	7.87	1.34	1.89	5.5
S6000	5784	SRS601	5.83	5.28	7.80	1.54	2.44	5.1
	5498	SRS602	6.81	5.87	8.39	1.54	2.44	6.0
	5292	SRS603	7.80	6.42	8.98	1.54	2.44	7.5
S11000	10805	SRS1101	5.94	6.22	233	1.81	2.99	9.7
	10294	SRS1102	6.93	6.81	9.17	1.81	2.99	11.2
	9877	SRS1103	7.91	7.36	10.31	1.81	2.99	12.8
S25000	24736	SRS2501	7.20	8.86	12.36	1.97	3.94	16.8
	23638	SRS2502	8.19	9.45	12.95	1.97	3.94	18.1
	22680	SRS2503	9.17	10.00	13.54	1.97	3.94	22.0

* Weights indicated are for the accessories only and do not include the wrench.