

# Flange Alignment Tools

▼ From left to right: **ATM-3, ATM-1, ATM-5**



- Rectifies twist and rotational misalignment without additional stress in pipe lines
- For most commonly used ANSI, API, BS and DIN flanges
- No slings, hooks, or lifting gear. Extremely safe, high precision
- ATM-1 supplied with three bushings for different bolt hole sizes. Can be used in reversed position.
- ATM-3 fits when flange joint is:
  - between 1.18 - 5.23 inches apart and
  - bolt hole size 0.95 inches or greater
- ATM-5 fits when flange joint is:
  - between 3.75 - 9 inches apart and
  - bolt hole size 1.25 inches or greater
- Can be installed and used in any position and any location
- Stays stable in position under full load

## ATM Series

Bolt Hole Range:  
**1<sup>1</sup>/<sub>16</sub> - 2<sup>1</sup>/<sub>8</sub> inches**

Flange Wall Thickness:  
**1<sup>1</sup>/<sub>16</sub> - 8 inches**

Maximum Force:  
**0.3-5.5 tons**



### Adjustable Reach-on ATM-3

The highly adjustable reach of the wing, the reversible lift hook and manual

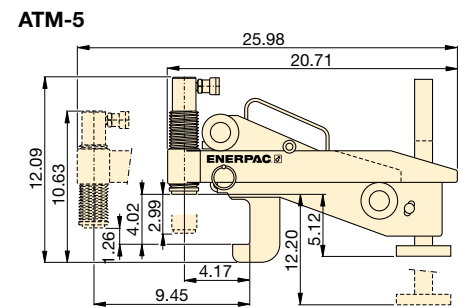
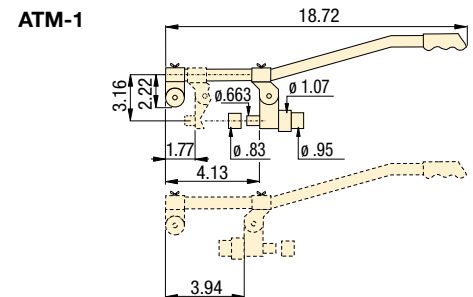
torque wrench **TW-22** (3/8" drive) allow precise alignment.



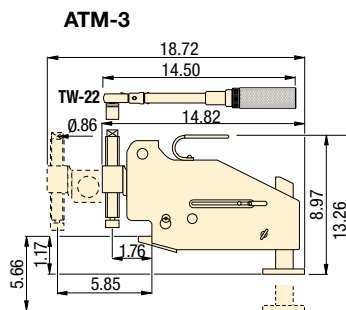
### ATM-5 Including Hydraulics

Including 10,000 psi hydraulics: RC-53 single-acting cylinder, P-142 two-speed hand pump and 6 ft. long safety hose (HC-7206C).

All dimensions shown in inches.



▼ The Enerpac ATM-3 used to align a large ANSI flange.



Maximum Lifting Force (ton)	Model Number	Bolt Hole Range		Flange Wall Thickness		Weight (lbs)
		(in)	(mm)	(in)	(mm)	
0.3	ATM-1	11/16 - 11/8	17 - 27,2	11/16 - 2	17 - 50	4.4
3.3	ATM-3	1 - 2 1/8	25 - 54	1 3/16 - 4 1/2	30 - 115	21.4
5.5	ATM-5 *	≥ 1 1/4	≥ 31,5	3 1/8 - 8	80 - 203	35.7

\* At 10,000 psi maximum operating pressure.

ATM-5 weight including hydraulic cylinder. Total set weight 62 lbs.