

▼ Shown: ATP-1500



ATP Series

Reservoir Capacity:

1 gallon

Flow at Rated Pressure:

4 in³/min.

Maximum Operating Pressure:

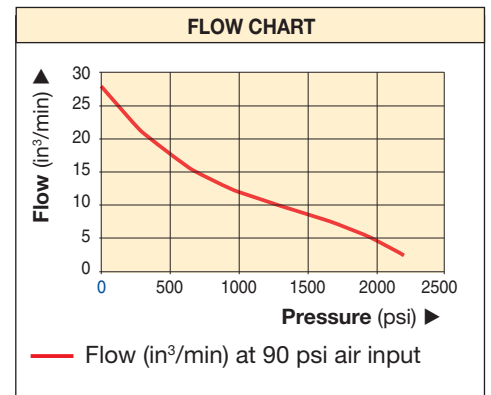
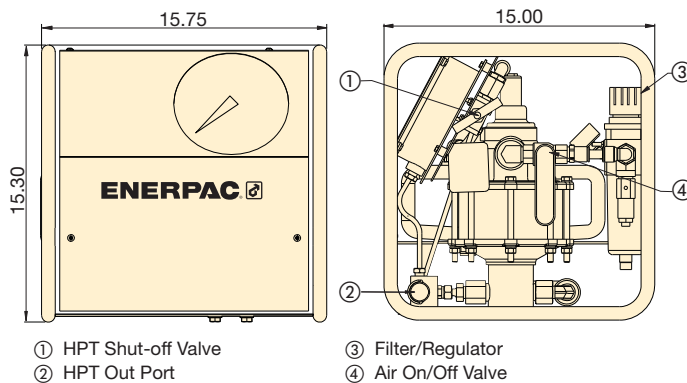
21,750 psi

- General purpose, high pressure air driven pump unit for products requiring up to 21,750 psi hydraulic pressure
- Compact, lightweight, rugged steel frame for protection and easy handling
- Prelubricated pump element, does not require an airline lubricator
- Easily adjustable output pressure control
- Integrated and protected easy to read glycerin filled gauge
- Safety relief valve limits output pressure



This pump operates at ultra-high pressure, use only the specified fittings and hoses designed for these pressures.

Page: 48



Pump Type	Useable Oil Capacity (gal)	Model Number	Pressure Rating (psi)	Output Flow Rate at 0 psi (in ³ /min)	Output Flow Rate at 21,750 psi (in ³ /min)	Air Pressure Range (psi)	Air Consumption (sfc)	Sound Level (dBA)	Weight (lbs)
High pressure	1.0	ATP-1500	21,755	26	4	80-90	70	70	70