



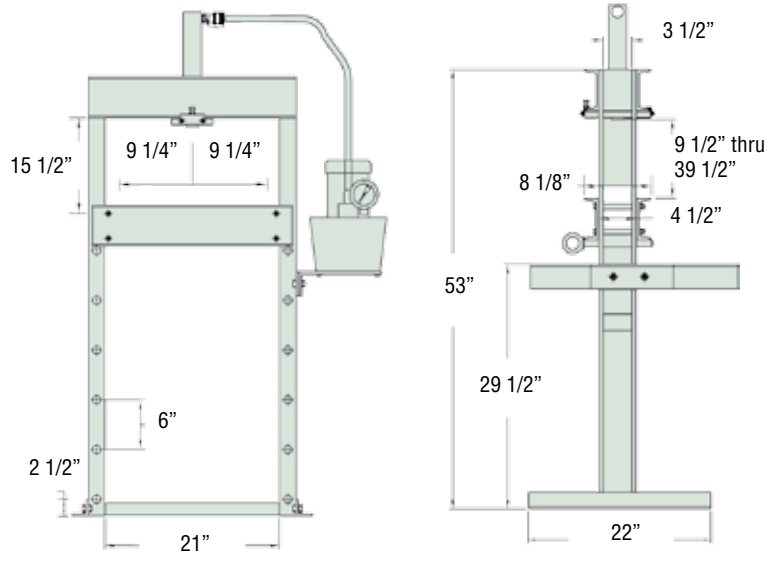
HYDRAULIC PRESSES

H-Frame
10 Tons

A manufacturer of small hoists performs light assembly effortlessly using the Simplex IMS-1010 ten ton press. "The compact size doesn't take up a lot of floor space, and we can easily move the press to different locations in the shop."

SIMPLEX ADVANTAGES

- ✓ Single or double acting models available.
- ✓ Large daylight with open sides for easy loading.
- ✓ Heavy duty welded construction.
- ✓ Moveable work head for maximum versatility.
- ✓ IES Series comes with motor pendant control.



Pump Mounting Kit
 For Hand Pumps: Model IM2
 For Power Pumps: Model IM3

Custom Build Your Press by ordering press models without pumps. For foot or pendant control, higher pressing speeds or optional pump motors order separately the Simplex pump and pump mounting kit that meet your requirements, and you're ready for operation.

Product Ordering & Dimensional Specifications

Model Number Without Pump	Model Number With Pump	Type of Cylinder	Cylinder Stroke (in)	Type of Pump	Pump Model	Operation	Speed (in/min)		Weight With Pump (lbs)	Weight Without Pump (lbs)
							Advance	Pressing		
IS1010	IAS1010	R1010 Single Acting 10 Ton Capacity	10 1/8	Air Powered	PA91	Advance Hold Retract	31	4.5	202	172
IS1010	IES1010		10 1/8	Electric Powered	G1121		104	9	204	172
IS1010	IMS1010		10 1/8	Manual	P42		.38*	.06*	208	172
IDD1010	IED1010	RDA1010 D/A 10 Ton Capacity	10	Electric Powered	G1141	Advance Hold Retract	104	9	226	188
IDD1010	IMD1010		10	Manual	P140D		1*	.10*	236	188

* Inches Per Stroke.

