

POWER PUMPS

G4 SERIES
GAS



The location to repair this dock foundation needed the versatility of the G4 gas power pump. "Worksites know no boundaries; the G4 performance proved itself in the most rugged, remote areas".

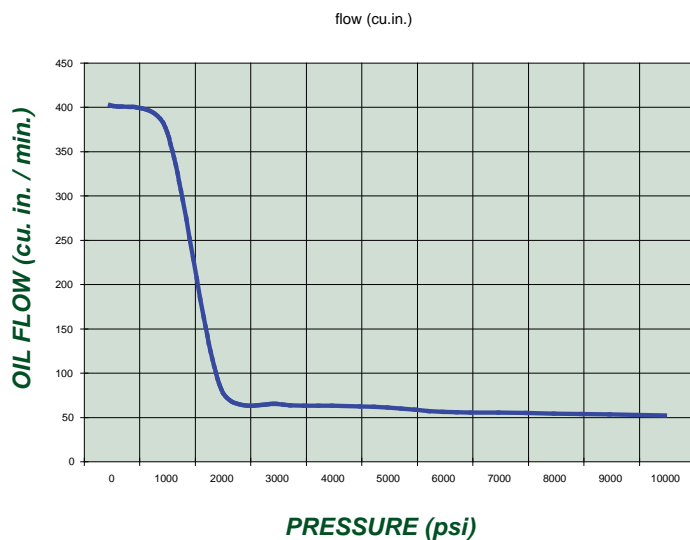


G4833 Shown
See table for additional models

SIMPLEX ADVANTAGES

- ✓ Powered by a 4 hp Briggs & Stratton® gas motor.
- ✓ Equipped with a carry handlebar on all models.
- ✓ High performance two-stage pump provides higher cross-over pressure for faster cycle times and equipment operation; 50 cubic inches / minute @ 10,000 PSI.
- ✓ Precision designed valve offers reliability and secure load holding; external adjustable relief standard on all models.
- ✓ Reservoirs available in 1.5 - 20 gallons; welded steel design.
- ✓ Ideal for use with mid sized hydraulic cylinders or tools.
- ✓ Compact, self contained design, starting at 53 lbs.

Performance Chart



HOSES



Large selection of standard, heavy duty and thermo plastic hydraulic hoses to meet your requirements and safety factor. - Pg. 82-83

GAUGES



Improve your system visibility and safety by adding an inline hydraulic gauge to your circuit. - Pg. 81

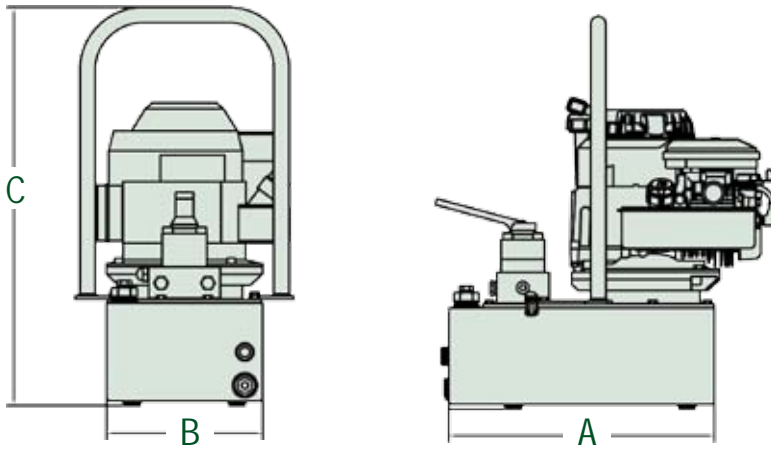
Advisory



Please refer to pages 4 & 5 for a complete list of safety tips and recommendations to ensure that your Simplex equipment will perform to its full potential.

POWER PUMPS

G4 SERIES
GAS



Model Shown
G4833



Usable Reservoir Capacity Gallons	A	B	C
	(in)	(in)	(in)
1.5	15.13	8.75	22.34
2.5	17	9.75	22.34
5	25.10	11.75	19.54
10	25.10	11.75	23.97
20	28	19.60	22.84

Product Ordering & Specifications								
Model	Pressure Rating		Output Flow		Motor	Valve Type	Reservoir Capacity	Weight (lbs)
	1st Stage	2nd Stage	1st Stage	2nd Stage	B&S			
G4833	1,100	10,000	700	50	4 HP	3W, 3P	2.5	53
G4835	1,100	10,000	700	50	4 HP	3W, 3P	5	108
G4843	1,100	10,000	700	50	4 HP	4W, 3P	2.5	53
G4845	1,100	10,000	700	50	4 HP	4W, 3P	5	108

Additional Pump Configurations



	MODEL	SELECTIONS						
Class	G	Power Pump						
Series	4	4 HP Gas Motor						
Motor Type	8	8 = 4 HP Briggs & Stratton® Gas Engine / 50 cu.in.						
Valve Function	3	<table border="0"> <tr> <td>0 = Dump</td> <td>3 = 3 Way Manual</td> </tr> <tr> <td>1 = 2 Way Dump</td> <td>4 = 4 Way Manual</td> </tr> <tr> <td>2 = 2 Way Manual</td> <td>8 = Port Block</td> </tr> </table>	0 = Dump	3 = 3 Way Manual	1 = 2 Way Dump	4 = 4 Way Manual	2 = 2 Way Manual	8 = Port Block
0 = Dump	3 = 3 Way Manual							
1 = 2 Way Dump	4 = 4 Way Manual							
2 = 2 Way Manual	8 = Port Block							
Reservoir Size	5	<table border="0"> <tr> <td>2 = 1.5 Gal. (metal)</td> <td>5 = 5 Gal. (metal)</td> <td>7 = 20 Gal. (metal)</td> </tr> <tr> <td>3 = 2.5 Gal. (metal)</td> <td>6 = 10 Gal. (metal)</td> <td></td> </tr> </table>	2 = 1.5 Gal. (metal)	5 = 5 Gal. (metal)	7 = 20 Gal. (metal)	3 = 2.5 Gal. (metal)	6 = 10 Gal. (metal)	
2 = 1.5 Gal. (metal)	5 = 5 Gal. (metal)	7 = 20 Gal. (metal)						
3 = 2.5 Gal. (metal)	6 = 10 Gal. (metal)							
Factory Installed Options*		<table border="0"> <tr> <td>C = Caster Wheel Kit</td> <td>O = Oil Filter</td> </tr> <tr> <td>G = Gauge (Integrated)</td> <td>R = Roll Cage</td> </tr> <tr> <td>L = Locking Style Manifold</td> <td></td> </tr> </table>	C = Caster Wheel Kit	O = Oil Filter	G = Gauge (Integrated)	R = Roll Cage	L = Locking Style Manifold	
C = Caster Wheel Kit	O = Oil Filter							
G = Gauge (Integrated)	R = Roll Cage							
L = Locking Style Manifold								

* If pump model consists of more than 3 options, contact factory.