

POWER PUMPS

G3 SERIES
ELECTRIC



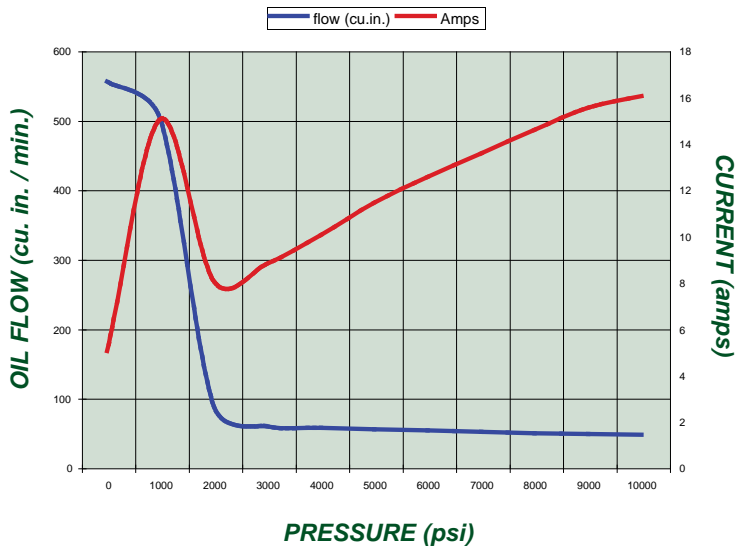
G3132 Shown
See table for additional models

A Simplex G3 power pump was used at a testing facility to pressurize manifolds for leaks. "This portable pump gave us more than enough power for our component testing and could also be used throughout the facility".

SIMPLEX ADVANTAGES

- ✓ Powered by a 115V - 60Hz, 1-1/8 hp universal motor (21,000 rpm); low startup voltage, draws 16 amps at full load (230V models available).
- ✓ Equipped with a 15' remote power controlled pendant.
- ✓ High performance two-stage pump provides higher cross-over pressure for faster cycle times and equipment operation; 46 cubic inches / minute @ 10,000 PSI.
- ✓ Precision designed valve offers reliability and secure load holding; external adjustable relief standard on all models.
- ✓ Reservoirs available in 1 - 10 gallons; welded steel design.
- ✓ Ideal for use with small - mid sized hydraulic cylinders or tools.
- ✓ Heavy duty design for extended service applications.

Performance Chart



GAUGES

Improve your system visibility and safety by adding an inline hydraulic gauge to your circuit.

- Pg. 81



HOSES

Large selection of standard, heavy duty and thermo plastic hydraulic hoses to meet your requirements and safety factor.

- Pg. 82-83

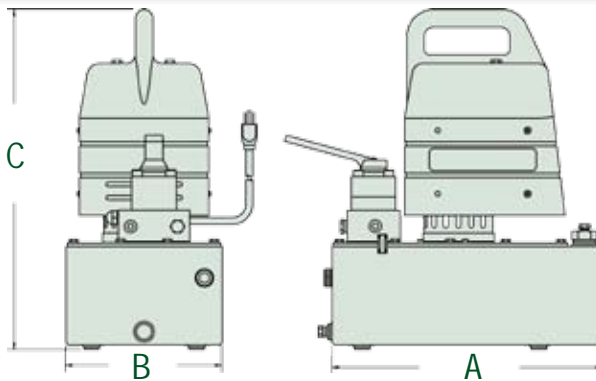


ROLL CAGE

Protect your power pump from unexpected worksite mishaps with a heavy duty roll cage. Dimensions: L - 25.13" x W - 15.13" x H - 22.13"

POWER PUMPS

G3 SERIES
ELECTRIC



Model Shown
G3122



Usable Reservoir Capacity Gallons	A	B	C
	(in)	(in)	(in)
1	11.00	8.19	18.75
1.5	15.13	8.75	19
2.5	17	9.75	19
5	25.10	11.75	18.75
10	25.10	11.75	23

Product Ordering & Specifications

Model	Pressure Rating (psi)		Output Flow (cu. in./min.)		Motor Spec.		Valve Type	Pendant Control	Reservoir Capacity	Weight (lbs)
	1st Stage	2nd Stage	1st Stage	2nd Stage	(vac)	(amps)				
G3100	1,100	10,000	650	46	115	16	Dump	Motor	1	38
G3101	1,100	10,000	650	46	115	16	Dump	Motor	1	45
G3102	1,100	10,000	650	46	115	16	Dump	Motor	1.5	50
G3121	1,100	10,000	650	46	115	16	2W, 2P	Motor	1	45
G3122	1,100	10,000	650	46	115	16	2W, 2P	Motor	1.5	52
G3131	1,100	10,000	650	46	115	16	3W, 3P	Motor	1	48
G3132	1,100	10,000	650	46	115	16	3W, 3P	Motor	1.5	53
G3133	1,100	10,000	650	46	115	16	3W, 3P	Motor	2.5	63
G3162	1,100	10,000	650	46	115	16	3W, 3P	Motor / Solenoid	1.5	57
G3163	1,100	10,000	650	46	115	16	3W, 3P	Motor / Solenoid	2.5	67
G3141	1,100	10,000	650	46	115	16	4W, 3P	Motor	1	48
G3142	1,100	10,000	650	46	115	16	4W, 3P	Motor	1.5	53
G3143	1,100	10,000	650	46	115	16	4W, 3P	Motor	2.5	63
G3172	1,100	10,000	650	46	115	16	4W, 3P	Motor / Solenoid	1.5	57
G3173	1,100	10,000	650	46	115	16	4W, 3P	Motor / Solenoid	2.5	67

* For 230 VAC pump use "2" in the 3rd character of the model number. Motor specifications 0.8 kw single phase, 10 amps @ 230 VAC.

Additional Pump Configurations

Class	G	Power Pump									
Series	3	1 1/8 HP Universal Motor / 46 cu.in.									
Motor Voltage	1	1 = 115 VAC Single Phase 2 = 230 VAC Single Phase									
Valve Function	3	<table border="0"> <tr> <td>0 = Dump</td> <td>3 = 3 Way Manual</td> <td>6 = 3 Way Solenoid</td> </tr> <tr> <td>1 = 2 Way Dump</td> <td>4 = 4 Way Manual</td> <td>7 = 4 Way Solenoid</td> </tr> <tr> <td>2 = 2 Way Manual</td> <td>5 = 2 Way Solenoid</td> <td>8 = Port Block</td> </tr> </table>	0 = Dump	3 = 3 Way Manual	6 = 3 Way Solenoid	1 = 2 Way Dump	4 = 4 Way Manual	7 = 4 Way Solenoid	2 = 2 Way Manual	5 = 2 Way Solenoid	8 = Port Block
0 = Dump	3 = 3 Way Manual	6 = 3 Way Solenoid									
1 = 2 Way Dump	4 = 4 Way Manual	7 = 4 Way Solenoid									
2 = 2 Way Manual	5 = 2 Way Solenoid	8 = Port Block									
Reservoir Size	2	<table border="0"> <tr> <td>1 = 1 Gal. (metal)</td> <td>3 = 2.5 Gal. (metal)</td> <td>6 = 10 Gal. (metal)</td> </tr> <tr> <td>2 = 1.5 Gal. (metal)</td> <td>5 = 5 Gal. (metal)</td> <td></td> </tr> </table>	1 = 1 Gal. (metal)	3 = 2.5 Gal. (metal)	6 = 10 Gal. (metal)	2 = 1.5 Gal. (metal)	5 = 5 Gal. (metal)				
1 = 1 Gal. (metal)	3 = 2.5 Gal. (metal)	6 = 10 Gal. (metal)									
2 = 1.5 Gal. (metal)	5 = 5 Gal. (metal)										
Factory Installed Options*		<table border="0"> <tr> <td>C = Caster Wheel Kit</td> <td>L = Locking Style Manifold</td> <td>R = Roll Cage</td> </tr> <tr> <td>F = Foot Switch (Motor)</td> <td>O = Oil Filter</td> <td>S = Foot Switch (Valve)</td> </tr> <tr> <td>G = Pump Mounted Gauge</td> <td>P = Pressure Switch</td> <td></td> </tr> </table>	C = Caster Wheel Kit	L = Locking Style Manifold	R = Roll Cage	F = Foot Switch (Motor)	O = Oil Filter	S = Foot Switch (Valve)	G = Pump Mounted Gauge	P = Pressure Switch	
C = Caster Wheel Kit	L = Locking Style Manifold	R = Roll Cage									
F = Foot Switch (Motor)	O = Oil Filter	S = Foot Switch (Valve)									
G = Pump Mounted Gauge	P = Pressure Switch										



* If pump model consists of more than 3 options, contact factory. * Motor pendant is standard on all models.

