

Hose Reels

Lincoln's Fluid Reel (LFR) Series

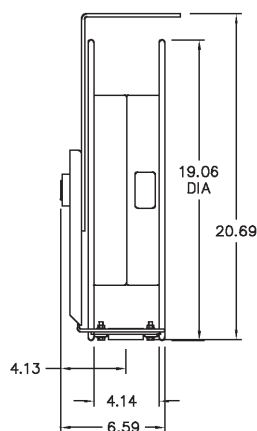
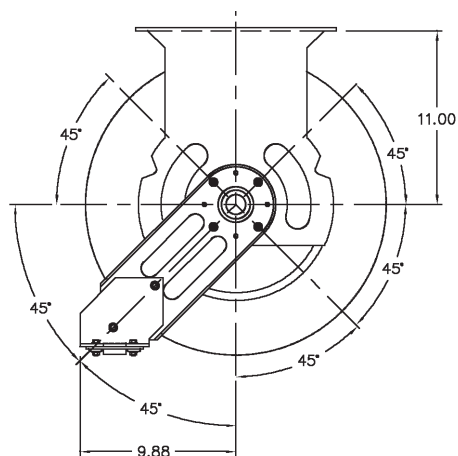


Lincoln's Fluid Reel Series (LFR) incorporates both new and proven design features and capabilities.

- Advanced design provides consistent, repetitive performance.
- Top-of-the-line features in our most popular reel.
- Engineered for durability and reliability.
- Low-, medium- and high-pressure models available.

Features

- Low-pressure, fully-ported swivel designed to be corrosion resistant when used for air and water-based solutions.
- Medium-pressure, fully-ported swivel provides unrestricted flow, dispensing higher volumes of fluid.
- High-pressure swivel includes quick-disconnect for easy hose attachment.
- Two hose clamps perfectly spaced to prevent the hose from locking in the fully extended position.
- Easily accessible—yet fully contained—power springs designed for optimum performance at various operating pressures.
- Dual needle bearings reduce the stress on the spring, providing smooth, balanced operation during both hose extension and retraction.
- Rounded edges on hose guide face enhances safety.
- Electroless nickel plated, corrosion-resistant, low-pressure axle prevents contamination of fluid and restriction of flow.
- Double ratchet teeth provide solid latch to lock hose in multiple usable positions.
- Mounting base accepts Lincoln No. 82206 mounting pattern and is slotted at both ends for easy installation.
- Powder-coat finish creates a corrosion-resistant reel that stands up to the elements.



Pressure Application	Hose Diameter	Max. Working Pressure psi (bar)
High	1/4"	5,000 (340)
	3/8" & 1/2"	4,000 (272)
Medium	1/2"	1,500 (102)
Low	1/4" & 3/8"	250 (17)
	1/2"	200 (13.6)

Assembly Models: 94 5 5 2 G

Pressure	Hose Length	Hose Diameter	Valve
5 - High	5 - 50'	2 - 1/4"	G - 740
3 - Medium	3 - 30'	3 - 3/8"	H - 3050
1 - Low	6 - 60'	4 - 1/2"	A - Air Coupler/Tire W - Bibbcock

Hose Reels

Lincoln's Fluid Reel (LFR) Series



Bare Reel Specifications

Model	Application	Hose Capacity			Max. Working Pressure Bare Reel, psi	Inlet/Outlet (f)
		Rating	Type	Max. Length		
94100	Air, A-F, Water, WW	RMA	Class A	60'	1000*	1/2" NPTF
94300	Oil	SAE100R3	73	60'	2500*	1/2" NPTF
94500	Grease	SAE100R2	75, 76	50'	8000*	3/8" NPTF

* Note: Actual working pressure of the reel should not exceed pressure rating of the installed hose. 60' hose should be used on installations allowing for a 10' to 12' hose hand down.

High-Pressure Reels and Assemblies

Grease Reel and Hose Assemblies

Model	Description	Included with Reel Assemblies				
		Bare Reel Model	Connecting Hose	Delivery Hose	Ball Stop	Control Valve or Meter
94532	1/4" x 30'	94500	75024	75360	85515	NA
94552	1/4" x 50'	94500	75024	75600	85515	NA
94553	3/8" x 50'	94500	75024	76600B	85516	NA

Grease Assemblies with Universal Swivel & Control Valve

94532G	1/4" x 30'	94500	75024	75360	85515	81387 & 740
94552G	1/4" x 50'	94500	75024	75600	85515	81387 & 740
94553H	3/8" x 50'	94500	75024	76600B	85516	81729 & 3050

Medium-Pressure Reels and Assemblies

Oil Reel and Hose Assemblies

94334	1/2" x 30'	94300	73024	73360	85517	NA
94354	1/2" x 50'	94300	73024	73600	85517	NA
94364	1/2" x 60'	94300	73024	73720	85517	NA

Low-Pressure Reels and Assemblies

Air, Water Reel and Hose Assemblies

94132	1/4" x 30'	94100	74024	72360	85515	NA
94133	3/8" x 30'	94100	74024	72360A	85516	NA
94152	1/4" x 50'	94100	74024	72600	85515	NA
94153	3/8" x 50'	94100	74024	72600A	85516	NA
94154	1/2" x 50'	94100	74024	74600	85517	NA
94163	3/8" x 60'	94100	74024	74720	85516	NA

Air Assemblies with Air Coupler and Tire Chuck

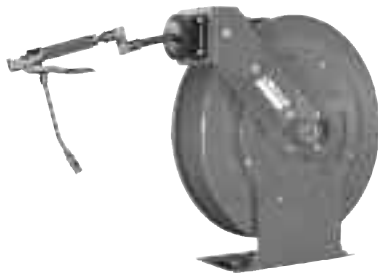
94132A	1/4" x 30'	94100	74024	72360	85515	815/11659/66951
94133A	3/8" x 30'	94100	74024	72360A	85516	815/11659/66951
94152A	1/4" x 50'	94100	74024	72600	85515	815/11659/66951
94153A	3/8" x 50'	94100	74024	72600A	85516	815/11659/66951
94154A	1/2" x 50'	94100	74024	74600	85517	815/11659/66951

Water Assemblies with Water/Antifreeze Bibbcock

94132W	1/4" x 30'	94100	74024	72360	85515	846 Bibbcock
94133W	3/8" x 30'	94100	74024	72360A	85516	846 Bibbcock
94152W	1/4" x 50'	94100	74024	72600	85515	846 Bibbcock
94153W	3/8" x 50'	94100	74024	72600A	85516	846 Bibbcock
94154W	1/2" x 50'	94100	74024	74600	85517	846 Bibbcock

Dual Support Hose Reel

Model	Application	Hose Capacity			Max. Working Pressure Bare Reel, psi	Inlet/Outlet (f)
		Rating	Type	Max. Length		
94100DS	Air, Water	RMA	Class A	60'	1000	1/2" NPTF
94300DS	Oil	SAE100R3	73	60'	4000	1/2" NPTF
94500DS	Grease	SAE100R2	75, 76	50'	8000	3/8" NPTF



Hose Reels

Heavy-Duty Series



The Heavy-Duty Series reels are the finest Lincoln lube reels ever designed. Years of engineering, testing and experience preceded their introduction. The quality and reliability the professional expects from Lincoln is not only met but exceeded in form and function by the HD Series. Value, long-life and top performance were the criteria demanded before these incredible reels were released.

You should expect the best from Lincoln... the HD Series reel delivers it.



82206

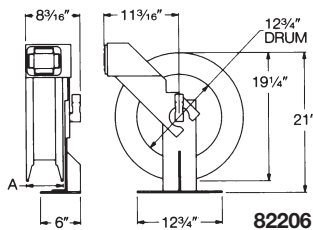
Features

- All bare reels rated for high, medium and low pressure
- Reel assemblies available in standard 30', 40' and 50' hose lengths
- Dual needle roller bearings
- Ball bearing inlet swivel design
- Quick disconnects on delivery and connecting hose
- Spring canister with seals
- Thirteen position roller outlet arm
- Delrin rollers
- Quarter-inch thick steel welded base and roller outlet arm
- Reel sheaves are rolled
- Components individually powder painted for long life and scratch resistance
- All reel assemblies factory assembled and pressure tested to insure a quality leak-free installation every time
- Basic reel assemblies can be ordered with one model number; include delivery hose, ball stop and connecting hose
- Complete reel assemblies with meter, control valve or air coupler are also available as one model number
- Backed by a five-year limited warranty. See your Lincoln representative for details

Bare Reel Specifications

Model	Lincoln Reel Application	Hose Capacity			Working Pressure	Sheave Width	Inlet/Outlet
		Rating	Type	Length			
82206	Heavy-duty long length	SAE100R2	75	50'	8000*	5 1/2"	1/2" NPTF
		SAE100R2	76A	50'	8000*	5 1/2"	1/2" NPTF
		SAE100R2	76B	50'	8000*	5 1/2"	1/2" NPTF
		SAE100R3	73	50'	8000*	5 1/2"	1/2" NPTF
		SAE100R1	78	50'	8000*	5 1/2"	1/2" NPTF
		RMA	Class A	50'	8000*	5 1/2"	1/2" NPTF

* Note: Actual working pressure of the reel should not exceed pressure rating of the installed hose.



82206



84275

Model 84275

Extra-heavy-duty dual reel sheave support base design and large hose capacity make this 1/2" (inlet/outlet) reel the ideal high-pressure reel for grease, petroleum oils, air and water.

High-Flow Reel Specifications

Model	Designation	SAE	HOSE CAPACITY Type	Length	Inlet/Outlet NPTF	Working Pressure psi	Sheave Width	INSTALLATION Width	Depth
84275	Extra-heavy-duty large capacity	100R1	78	75'	1/2"	5000	10"	13 1/8"	12 3/4"
		100R2	75/76A/76B	75'					
		100R3	73	75'					

Mounting Kits

Model 85641

Universal kit for mounting up to 12 reels, any series, open or decorative.

I-Beam Clamp

Model 85654

The I-beam clamp accessory allows users to easily mount the 94000 series reels to existing I-beams.

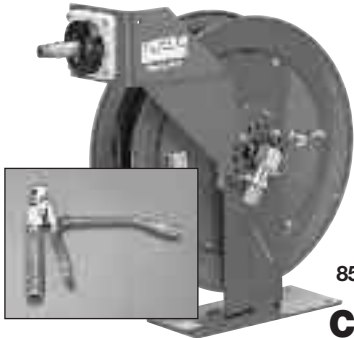


85654

HOSE REELS

Hose Reels

Heavy-Duty Series



85050

Basic Grease Assemblies *Less Hose End Control*

Basic Reel	Bare Reel	Delivery Hose	Hose Size	Connecting Hose	Ball Stop	Control Valve
85003-30	82206	75360	30' x 1/4"	75024	85516	NA
85004	82206	75480	40' x 1/4"	75024	85516	NA
85004-50	82206	75600	50' x 1/4"	75024	85516	NA
85006-30B	82206	76360B	30' x 3/8"	76024B	85517	NA
85004-50B	82206	76600B	50' x 3/8"	76024B	85517	NA
85008-50A	82206	76600A	50' x 1/2"	76024A	85517	NA

Complete Grease Assemblies *with Universal Swivel & Control Valve*

Assembly Model	<i>Included with Reel Assemblies (Quantity)</i>							
	Bare Reel	Delivery Hose	Hose Size	Connecting Hose	Ball Stop	Control Valve	Swivel	Nipple
85050	82206	75360	30' x 1/4"	75024	85516	740	81387	12957(2)
85051	82206	75600	50' x 1/4"	75024	85516	740	81387	12957(2)



83464-50

Medium Pressure Reels & Assemblies

Basic Oil, Fluid Lubricant, Antifreeze & WW Fluid Assemblies *Less Hose End Control*

Basic Reel	Bare Reel	Delivery Hose	Hose Size	Connecting Hose	Ball Stop	Control Valve
83463	82206	73240	20' x 1/2"	73024	85517	NA
83463-30	82206	73360	30' x 1/2"	73024	85517	NA
83464	82206	73480	40' x 1/2"	73024	85517	NA
83464-50	82206	73600	50' x 1/2"	73024	85517	NA
85009-50	82206	78600	50' x 5/8"	78024	84347	NA

Low Pressure Reels & Assemblies

Basic Air, Water *Less Hose End Control*

85232	82206	72360	30' x 1/4"	72024	85515	NA
85002	82206	72480	40' x 1/4"	72024	85515	NA
85011	82206	72600	50' x 1/4"	72024	85515	NA
85002A	82206	72480A	40' x 3/8"	72024A	85516	NA
85001	82206	72600A	50' x 3/8"	72024A	85516	NA
85012	82206	—	60' x 3/8"	72024A	85516	NA
85005	82206	74480	40' x 1/2"	74024	85517	NA
85010-50	82206	74600	50' x 1/2"	74024	85517	NA

Complete Medium Pressure Assemblies—Gear Lube

85052	82206	73360	30' x 1/2"	73024	85517	780
85053	82206	73600	50' x 1/2"	73024	85517	780
85054	82206	73360	30' x 1/2"	73024	85517	878 (meter)
85055	82206	73600	50' x 1/2"	73024	85517	878 (meter)

Complete Medium Pressure Assemblies—Oils

85056	82206	73360	30' x 1/2"	73024	85517	877 (meter)
85057	82206	73600	50' x 1/2"	73024	85517	877 (meter)
85058	82206	73360	30' x 1/2"	73024	85517	3866 (meter)
85059	82206	73600	50' x 1/2"	73024	85517	3866 (meter)

Complete Medium Pressure Assemblies—Oils *Elec/Digital*

85060	82206	73360	30' x 1/2"	73024	85517	967 (meter)
85061	82206	73600	50' x 1/2"	73024	85517	967 (meter)

Complete Low Pressure Assemblies—Air Service

Assembly Model	<i>Included with Reel Assemblies</i>								
	Bare Reel	Delivery Hose	Hose Size	Connecting Hose	Ball Stop	Air Coupler	Nipple	Air Chuck	Bushing
85062	82206	72600	50' x 1/4"	74024	85515	815	11659	66951	12080
85063	82206	72600A	50' x 3/8"	74024	85516	815	11659	66951	67069/10049

Complete Low Pressure Assemblies—Water Service

Assembly Model	<i>Included with Reel Assemblies</i>						
	Bare Reel	Delivery Hose	Hose Size	Connecting Hose	Ball Stop	Bushings	Bibbcock
85064	82206	72600	50' x 1/4"	74024	85515	12080	846
85065	82206	72600A	50' x 3/8"	74024	85516	67069/10049	846

Lincoln's plastic decorative overhead hose reel cabinets are constructed of a lightweight, durable resin. This design offers dramatically reduced installation time and ease of maintenance. The modular design eliminates reel enclosure end panels. Plastic decorative cabinet models are dent and scratch resistant, non-conductive and non-corrosive.



Plastic Decorative Reel Cabinet

Hose Reel Series	Cabinets (1 Per Reel)	Required Mounting Components	
		Adapter Plate Kit (1 Per Reel)	Mounting Kit (1-12 Reels)
94000	85640	85642	85641
82206	85240		

Metal Decorative Reel Cabinet

Hose Reel Series	Cabinets (1 Per Reel)	End Panel Assembly (1 Per Set of Reels)	Required Mounting Components	
			Adapter Plate Kit (1 Per Reel)	Mounting Kit (1-12 Reels)
94000	83872	82164	85642	85641
82206				

Model 85641 Universal Mounting Kit

Universal mounting kit allows installation of up to twelve reels, any series, open or decorative. Twelve reels can be installed side by side with this kit or cut to fit your reel installation needs. Includes 2 mounting struts and hardware to mount 12 reels.

Series 3100 Heavy-Duty, Decorative, 30 Feet

Model	Description	Bare Reel	Delivery Hose (30')	Connecting Hose	Ball Stop	Hose End Controls	Swivel	Coupler	Nipple
3191	Grease w/Control Valve & Swivel	82206	75360 1/4"	75024	85515	740	81387		
3189	Motor Oil/Antifreeze w/Electronic Meter	82206	73360 1/2"	73024	85517	954	NA	NA	NA
3194	Motor Oil/Antifreeze w/Quarts Meter	82206	73360 1/2"	73024	85517	877	NA	NA	NA
3195	Gear Oil w/Pints Meter	82206	73360 1/2"	73024	85517	878	NA	NA	NA
3196	Gear Oil w/Control Valve	82206	73360 1/2"	73024	85517	780	NA	NA	NA
3197	ATF w/Quarts ATF Meter	82206	73360 1/2"	73024	85517	883	NA	NA	NA
3193	Air w/Air Chuck	82206	72360 1/4"	72024	85515	66951	NA	815	11659
3192	Water w/Bibbcock, 30' Hose	82206	72360 1/4"	72024	85515	846	NA	NA	NA

Series 3200 Heavy-Duty, Decorative, 50 Feet

Model	Description	Bare Reel	Delivery Hose (50')	Connecting Hose	Ball Stop	Hose End Controls	Swivel	Coupler	Nipple
3291	Grease w/Control Valve & Swivel	82206	75600 1/4"	75024	85515	740	81387		
3289	Motor Oil/Antifreeze w/Electronic Meter	82206	73600 1/2"	73024	85517	954	NA	NA	NA
	Motor Oil/Antifreeze	82206	73600 1/2"	73024	85517	NA	NA	NA	NA
3294	Motor Oil/Antifreeze Quarts Meter	82206	73600 1/2"	73024	85517	877	NA	NA	NA
3295	Gear Oil w/Pints Meter	82206	73600 1/2"	73024	85517	878	NA	NA	NA
3296	Gear Oil w/Control Valve	82206	73600 1/2"	73024	85517	780	NA	NA	NA
3297	ATF w/Quarts ATF Meter	82206	73600 1/2"	73024	85517	883	NA	NA	NA
3198	Air w/Air Chuck	82206	72600 1/4"	72024	85515	66951	NA	815	11659
3199	Air w/Air Chuck	82206	72600A 3/8"	72024A	85516	66951	NA	815	11659
3190	Water w/Bibbcock	82206	72600A 3/8"	72024A	85516	846	NA	NA	NA

Hose Reels

Dual Support Hose Reel

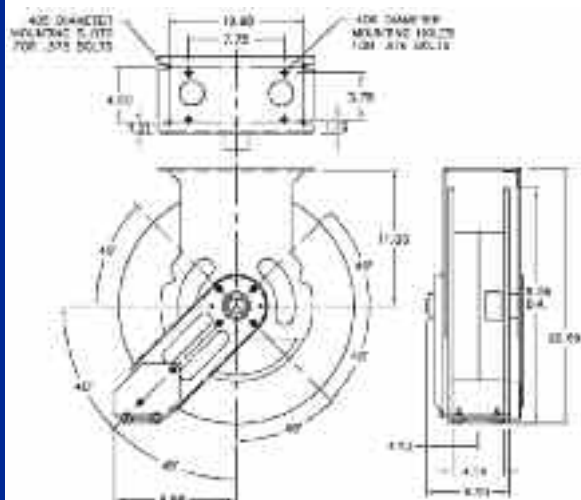


The Dual Support Reel utilizes the same technology as Lincoln's dependable 94000 reels. These new heavy-duty reels include a dual arm and dual pedestal to give the added stability needed for demanding environments.

The three-point bolt design on the support arm allows for easy installation of the delivery hose and provides instant access to the reel's working parts.

Features and Benefits

- Design based on the proven 94000 series reels
- Dual support from base to axle to roller outlet provides stability for applications with heavy vibration and impact
- Easy to install



Specifications

Model	Description	Hose	Application	Working Pressure	Sheave Width	Inlet/Outlet
94100DS	Bare Reel	NA	Air & Water	1000 psi	4 1/2"	1/2" NPTF
94300DS	Bare Reel	NA	Oil	4000 psi		1/2" NPTF
95000DS	Bare Reel	NA	Grease	8000 psi		3/8" NPTF

Maximum Hose Capacities	Maximum Length
1/4" ID Air/water/grease hose	60'
3/8" ID Air/water/grease hose	60'
1/2" ID Oil hose	50'

Hose Reels

High-Flow Series



Extra-Heavy-Duty Reels for Applications that Require High Product Flow and/or Longer Hose such as Service Trucks, Lube Trucks, Transit Facilities and Large Fleet Shops.



84672

Model 84672

Extra-heavy-duty high flow design makes this 3/4" inlet/outlet reel the perfect medium-pressure reel for petroleum oils, used fluid evacuation, air and water service.



84673

Model 84673

Extra-heavy-duty dual reel sheave support base, high flow design and large hose capacity make this 3/4" inlet/outlet reel the ideal medium-pressure reel for petroleum oils, used fluid evacuation, air and water service.



84432

Model 84432

Dual reel sheave support base design and high-flow swivel make this 1" inlet/outlet reel the ideal low-pressure/volume reel. This reel is suitable for gasoline, diesel fuel, fuel oil, air and water. Not suitable for ceiling or wall mounted applications.

High-Flow Reel Specifications

Model	Designation	SAE	HOSE CAPACITY Type	Length	Inlet/Outlet NPTF	Working Pressure psi	Sheave Width	INSTALLATION Width	Depth
84672	Extra-heavy-duty high-flow	100R1	3/4"ID x 1 1/4"OD 78	30'	3/4"	2000	5 1/2"	9 15/16"	12 3/4"
84673	Large capacity	100R1 100R1	3/4"ID x 1 1/4"OD 78	75' 75'	3/4"	2000	10"	14 1/2"	12 3/4"
84432	Heavy-duty volume	100R3	1"OD low pressure	50'	1"	300	8"	15 3/4"	24 1/4"
89010	Super-duty high-flow	100R3	1 1/4"ID x 1 3/4"OD low pressure	50'	1 1/4"	500		22 1/8"	26 1/4"

Model 84433

1" x 50' volume fuel reel assembly comes complete with spring-powered reel 84432, 1" x 50' delivery hose 247926, ball stop 84257 and 1" x 2' connecting hose. Order control valve/nozzle separately.

Fuel Nozzles

Model 69690

1 1/4" NPT(f) inlet, 50 psi. Aluminum body and outlet tube.

Model 69825

Auto shut-off, 1" NPT(f) inlet, 50 psi. Aluminum body and outlet tube.

Model 69824

Same as 69825 except 3/4" NPT(f) inlet.



84433



High-Flow Reel Assemblies

Basic Reel	Bare Reel	Delivery Hose	Hose Size	Ball Stop	Control Valve
84433	84432	247926	1" x 50'	84257	order separately

Recommended Mounting/Application

Bare Reel	Mounting	Applications
84275	Floor, wall, ceiling, lube truck	Grease, oils, air
84672	Floor, wall, ceiling, lube truck	Oils, used fluid evacuation, air, water
84673	Floor, wall ceiling, lube truck	Oils, used fluid evacuation, air, water
84432	Floor, platform, lube truck	Fuel, volume oils, used fluid evac., air, water

Contact Lincoln for more information regarding super-duty reels with extra large hose capacity suitable for aircraft fuels.



Air Reel – Value Series

Lincoln's Value Series air hose reels are constructed of durable, heavy-gauge steel and heavy-duty rubber air hoses. The slotted mounting base allows for easy attachment to ceilings, walls and work benches. Features include five-position adjustable outlet roller arm, spring-powered automatic recoil, angled hose guide for smooth, parallel hose pull-out and retraction and an eight-position ratchet gearing that locks the reel at the desired hose length.

Model 83753

3/8" x 50' assembled air hose reel includes bare hose reel, 50' delivery hose and ball stop.

Model 83754

1/2" x 50' assembled air hose reel includes bare hose reel, 50' delivery hose and ball stop.

Specifications

Model	Assembly Description	Inlet/Outlet Connection	Maximum Pressure	Maximum Air Flow
83753	50' of 3/8" air hose	1/4" NPT	300 psi	25 cfm
83754	50' of 1/2" air hose	1/2" NPT	300 psi	35 cfm

Replacement Hose

Model	Assembly Description	Inlet/Outlet Connection	Maximum Pressure	Maximum Air Flow
275173	50' of 1/2" air hose	1/2" NPT	300 psi	35 cfm
275172	50' of 3/8" air hose	1/4" NPT	300 psi	25cfm

WARNING

Reels used with hazardous fluids or fuels, hose with static grounding wire must be used. For aircraft fuels, a separate static grounding cable must be furnished by the user. Consult federal and local codes for details.

Mini Workbench Reel

Lincoln's smallest reel excels in the tightest places.



- Compact size allows for easy installation under workbenches or in cabinets
- Narrow 5-1/4" width and 14" spool makes this the most narrow reel in its class
- 1" quality spring provides reliable, consistent performance and retractability
- 5-year warranty
- Integrated swivel stem and shaft design means easy servicing by simply removing the swivel body
- High gloss, UV-resistant powder coat finish reduces scuffs and impact marks

Specifications

Model	Pressure	Fluid	Diameter	Length
81133	Low	Air/Water	3/8"	35'
81323	Medium	Oil	3/8"	25'

Lincoln high-, medium- & low-pressure hoses—every size for every application

High-Pressure Hose—Grease

Model	Size	Hose Type/SAE	Inches		Thread	Max Pressure psi (bar) Working
			ID	OD		
75024	2'	75/100R2A	1/4	11/16	1/2"-27(f)	5000 (340)
75060	5'	75/100R2A	1/4	11/16	1/2"-27(f)	5000 (340)
75084	7'	75/100R2A	1/4	11/16	1/2"-27(f)	5000 (340)
75120	10'	75/100R2A	1/4	11/16	1/2"-27(f)	5000 (340)
75168	14'	75/100R2A	1/4	11/16	1/2"-27(f)	5000 (340)
75240	20'	75/100R2A	1/4	11/16	1/2"-27(f)	5000 (340)
75360	30'	75/100R2A	1/4	11/16	1/2"-27(f)	5000 (340)
75480	40'	75/100R2A	1/4	11/16	1/2"-27(f)	5000 (340)
75600	50'	75/100R2A	1/4	11/16	1/2"-27(f)	5000 (340)
76024B	2'	76B/100R2	3/8	27/32	1/2"NPT(f)	4000 (272)
76120B	10'	76B/100R2	3/8	27/32	1/2"NPT(f)	4000 (272)
76360B	30'	76B/100R2	3/8	27/32	1/2"NPT(f)	4000 (272)
76600B	50'	76B/100R2	3/8	27/32	1/2"NPT(f)	4000 (272)
76900B	75'	76B/100R2	3/8	27/32	1/2"NPT(f)	4000 (272)
76024A	2'	76B/100R2	1/2	27/32	1/2"NPT(f)	4000 (272)
76600A	50'	76B/100R2	1/2	27/32	1/2"NPT(f)	4000 (272)

Medium-Pressure Hose—Oil, Gear Lube & Antifreeze

73024	2'	73/100R3	1/2	13/16	1/2"NPT(m)	1500 (102)
73036	3'	73/100R3	1/2	13/16	1/2"NPT(m)	1500 (102)
73060	5'	73/100R3	1/2	13/16	1/2"NPT(m)	1500 (102)
73120	10'	73/100R3	1/2	13/16	1/2"NPT(m)	1500 (102)
73240	20'	73/100R3	1/2	13/16	1/2"NPT(m)	1500 (102)
73360	30'	73/100R3	1/2	13/16	1/2"NPT(m)	1500 (102)
73480	40'	73/100R3	1/2	13/16	1/2"NPT(m)	1500 (102)
73600	50'	73/100R3	1/2	13/16	1/2"NPT(m)	1500 (102)
73900	75'	73/100R3	1/2	13/16	1/2"NPT(m)	1500 (102)
1230120	10'	1230/100R2	3/4	1 1/4	3/4"NPT(m)	2250 (153)

Hose Accessories

Ball Stops

Lincoln Ball Stops are used to cushion and stop hose retraction.



Model	Description	Hose Type	OD
85515	Adjustable	RMA Class A	5/8"
85516	Adjustable	RMA Class A & 74	11/16" – 23/32"
85517	Adjustable	73, 74, 76A & 76B	27/32" – 31/32"
84347	Adjustable	78 & 78B	11/32"
84122	Adjustable	NA	1 3/4" – 1 7/8"
84257	Adjustable	NA	1 1/2" – 1 5/8"

Low-Pressure Hose—Air & Water

Model	Size	Hose Industrial	Inches		Thread	Max Pressure psi (bar) Working
			ID	OD		
72024	2'	RMA Class A	1/4	5/8	1/4"NPT(m)	250 (17.01)
72036	3'	RMA Class A	1/4	5/8	1/4"NPT(m)	250 (17.01)
72060	5'	RMA Class A	1/4	5/8	1/4"NPT(m)	250 (17.01)
72120	10'	RMA Class A	1/4	5/8	1/4"NPT(m)	250 (17.01)
72240	20'	RMA Class A	1/4	5/8	1/4"NPT(m)	250 (17.01)
72360	30'	RMA Class A	1/4	5/8	1/4"NPT(m)	250 (17.01)
72600	50'	RMA Class A	1/4	5/8	1/4"NPT(m)	250 (17.01)
72024A	2'	RMA Class A	3/8	23/32	3/8"NPT(m)	250 (17.01)
72360A	30'	RMA Class A	3/8	23/32	3/8"NPT(m)	250 (17.01)
72480A	40'	RMA Class A	3/8	23/32	3/8"NPT(m)	250 (17.01)
72600A	50'	RMA Class A	3/8	23/32	3/8"NPT(m)	250 (17.01)
74024	2'	RMA Class A	1/2	27/32	1/2"NPT(m)	200 (13.61)
74060	5'	RMA Class A	1/2	27/32	1/2"NPT(m)	200 (13.61)
74480	40'	RMA Class A	1/2	27/32	1/2"NPT(m)	200 (13.61)
74600	50'	RMA Class A	1/2	27/32	1/2"NPT(m)	200 (13.61)

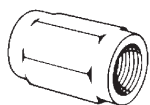
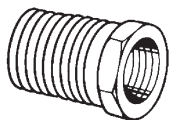
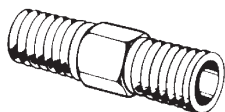
Lincoln High-Pressure Replacement Hose

Cross Reference

Model	Original Threads	Replacement
Alemite	1/2"-27(f) x 1/2"-27(f)	Any Type 75 Hose
Aro	1/8" NPT(m) x 1/8" NPT(f)	Any Type 75 Hose, 10199 Nipple, 10200 Bushing
Balcrank	1/2"-27(f) x 1/2"-27(f)	Any Type 75 Hose
Graco	1/4" NPT(m) x 1/4" NPT(m)	Any Type 75 Hose, Two (2) 10198 Bushing

Hose Accessories

Nipples, Couplers & Bushings for Lincoln 75 Grease Hose



Nipples

Model	Thread
10198	1/4" NPT(m) x 1/2"-27(m)
10199	1/8" NPT(m) x 1/2"-27(m)
10202	1/2"-27 NPT(m) x 1/2"-27(m)
12957	1/2" NPT(m) x 1/2"-27(m)

Reducing Couplings

11852	1/8" NPT(f) x 1/2"-27(f)
10522	1/4" NPT(f) x 1/2"-27(f)

Bushings

10200	1/8" NPT (f) x 1/2"-27(m)
10204	1/4" NPT(f) x 1/2"-27(m)
12287	1/2"-27(f) x 1/2" NPT(m)