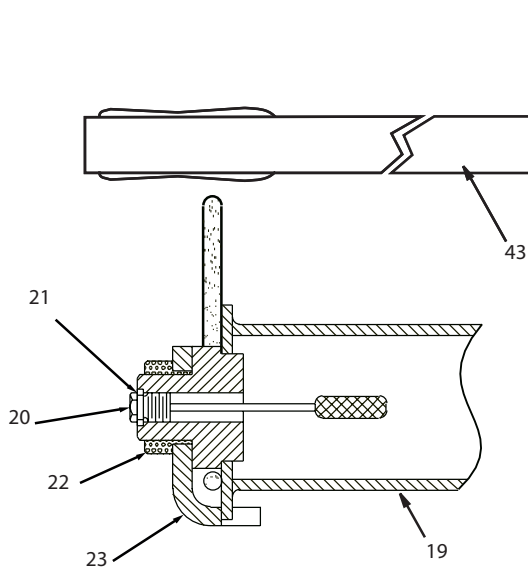




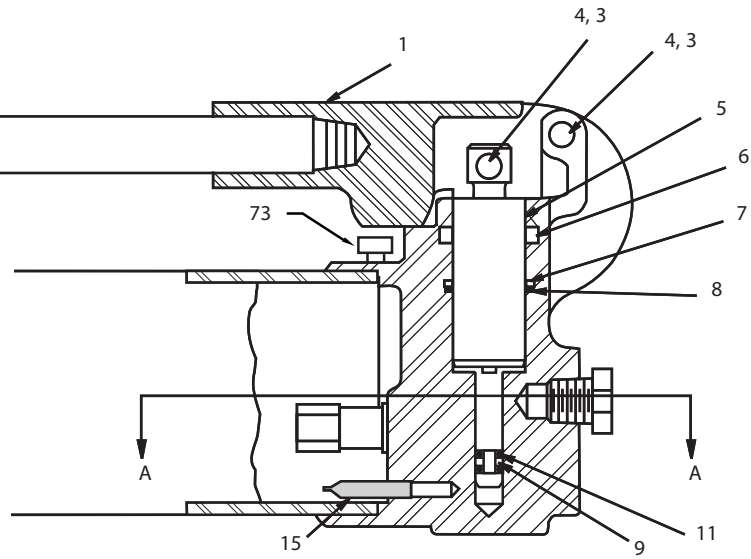
www.tksimplex.com

P82A HAND PUMP REPAIR PARTS SHEET

Part Sheet # TD113
Revision - B
Date: 10_12

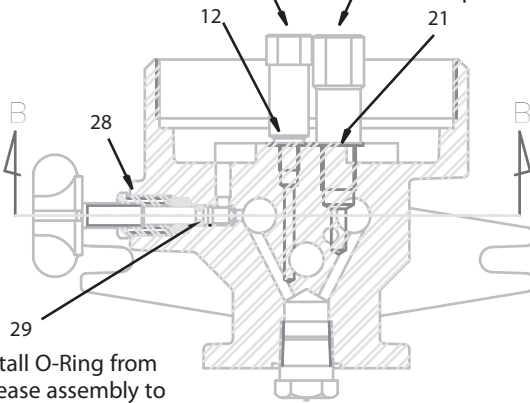


NOTE: Item No. 19 requires removable thread sealant to external threads.



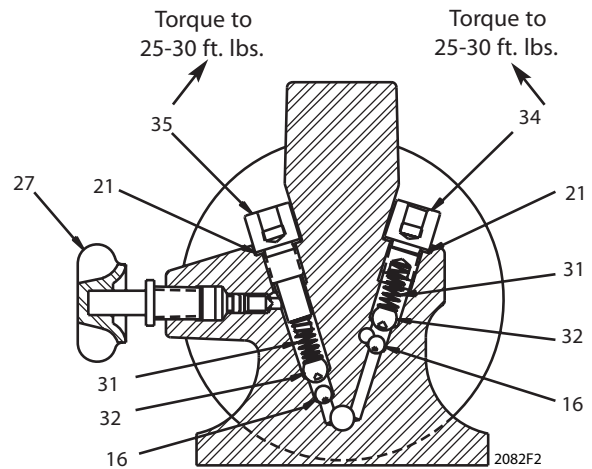
NOTE: Pump Base is not sold as a service part. Order complete pump.

Set Relief Valve (Item 10) to 10,000 psi - second stage.
Set Relief Valve (Item 25) to 350 psi - first stage.



Install O-Ring from release assembly to bottom of hole before threading in release valve assembly.

SECTION "A-A"



Section B - B

WARRANTY STATEMENT

Simplex products are warranted to be free of defects in materials and workmanship under normal use for as long as they are owned by the original purchaser, subject to the exclusions and limitations listed. This warranty does not cover ordinary normal wear & tear, abuse, overloading, alterations, (including repairs or attempted repairs by parties other than SIMPLEX or its Authorized Service Centers), improper fluid, or use in a manner for which they are not intended or use which is contrary to instructions for the products. If the customer believes a product is defective, the product must be delivered, or shipped freight prepaid, to the nearest SIMPLEX Authorized Service Center.

ITEM#	DESCRIPTION	PART#	QTY.
1	Beam	DS2589060	1
3	Retaining Ring	*	2
4	Beam Pin (Includes item 3)	DS2604061SS	2
5	Pump Plunger (Includes Items 3, 4, 6, 7, 8, 9, 11)	DS2608051SS	1
6	Wiper Ring	*	1
7	Back-up Ring	*	1
8	O-ring Packing	*	1
9	O-ring	*	1
10	Relief Valve (includes Gasket)	DS2612900SS	1
11	Back-up Ring	*	1
12	Gasket	*	1
15	Oil Strainer Screen	*	1
16	7/32" Ball	*	2
19	Reservoir Assembly	DS2617025SS	1
20	Filler Plug (Includes item 21)	DS2618900SS	1
21	Gasket	*	3
22	Jam Nut	DS2609123	1
23	Pump Rest	DS2610189	1
25	By-pass Valve (Includes Item 21)	DS2613900SS	1
27	Release Valve (Includes Item 28 & 29)	DS2614900SS	1
31	Spring	*	2
32	5/16" Ball	*	2
34	Valve Plug (Includes Items 21, 31, 32, 16)	DS2615006SS	1
35	Valve Plug (Includes Items 16, 21, 31, 32)	DS2616006SS	1
43	Handle Assembly	DS2602900SS	1
73	Vent	DS2611024	1
	REPAIR KIT (* = COMPONENTS)	RKP82A	
	VITON REPAIR KIT (* = COMPONENTS)	RKP82AV	

WARRANTY STATEMENT

Simplex products are warranted to be free of defects in materials and workmanship under normal use for as long as they are owned by the original purchaser, subject to the exclusions and limitations listed. This warranty does not cover ordinary normal wear & tear, abuse, overloading, alterations, (including repairs or attempted repairs by parties other than SIMPLEX or its Authorized Service Centers), improper fluid, or use in a manner for which they are not intended or use which is contrary to instructions for the products. If the customer believes a product is defective, the product must be delivered, or shipped freight prepaid, to the nearest SIMPLEX Authorized Service Center.