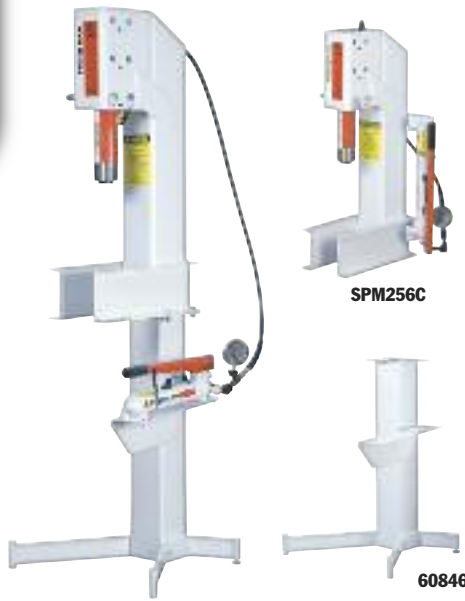


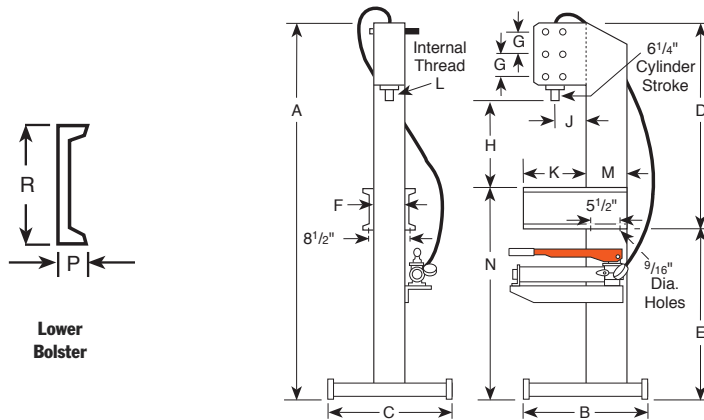
# SHOP PRESS

C Frame  
25 Tons Press



- Can be bench mounted or on optional pedestal base.
- Bench mount requires less than 1.5 sq. ft. of space; on optional pedestal, only 4 sq. ft. of floor space is needed.
- “Open Throat” design makes loading and unloading of work easy.
- Cylinder head adjusts to three convenient working positions, providing up to 20<sup>1</sup>/<sub>4</sub>” of “daylight.”
- Hydraulic cylinder delivers a 6<sup>1</sup>/<sub>4</sub>” stroke, is driven by a P59 two-speed hand pump.

**Pedestal Base No. 60846** – Provides a stable base for SPM256C. Includes a bracket for mounting the pump on the side of pedestal press. Wt., 76 lbs.



## DIMENSIONS

A	B	C	D	E	F	G	H (Cyl. Retracted)	J	K	L	M	N	P	R	Floor Space
(in)	(in.)	(in.)	(in.)	(in.)	(in.)	(in.)	(in.)	(in.)	(in.)	(in.)	(in.)	(in.)	(in.)	(in.)	(in.)
77 <sup>5</sup> / <sub>8</sub>	24 <sup>1</sup> / <sub>2</sub>	24	41 <sup>5</sup> / <sub>8</sub>	36	6	5	10 <sup>3</sup> / <sub>4</sub> , 15 <sup>1</sup> / <sub>4</sub> , 20 <sup>1</sup> / <sub>4</sub>	6 <sup>1</sup> / <sub>2</sub>	12 <sup>1</sup> / <sub>2</sub>	1 <sup>1</sup> / <sub>2</sub> – 16	8	43	2	7	24 x 24 <sup>1</sup> / <sub>2</sub>

## ORDERING INFORMATION

Capacity (tons)	Type Cyl. Used	Stroke	Cyl. Model	Order No.	Speed** Advance	Pressing	Type Pump	Pump Model	Prod.Wt. (lbs.)
25	Single-Acting	6 <sup>1</sup> / <sub>4</sub> ”	C256C	<b>SPM256C*</b>	.129 in./stroke	.03 in./stroke	Hand	P59	240
25	Single-Acting	6 <sup>1</sup> / <sub>4</sub> ”	C256C	<b>SPX256C*</b>	.129 in./stroke	.03 in./stroke	—	—	240

\* SPM256C does not include No. 60846 pedestal base. Pump not included.

\*\* Typical performance based on pump specifications. Actual speeds may vary with operating conditions.