



777 OAKMONT LANE, SUITE 800 WESTMONT, IL 60559
1.800.323.9114 • Outside U.S. 1.708.865.1500
www.tksimplex.com

60 SERIES ELECTRIC POWER PUMP

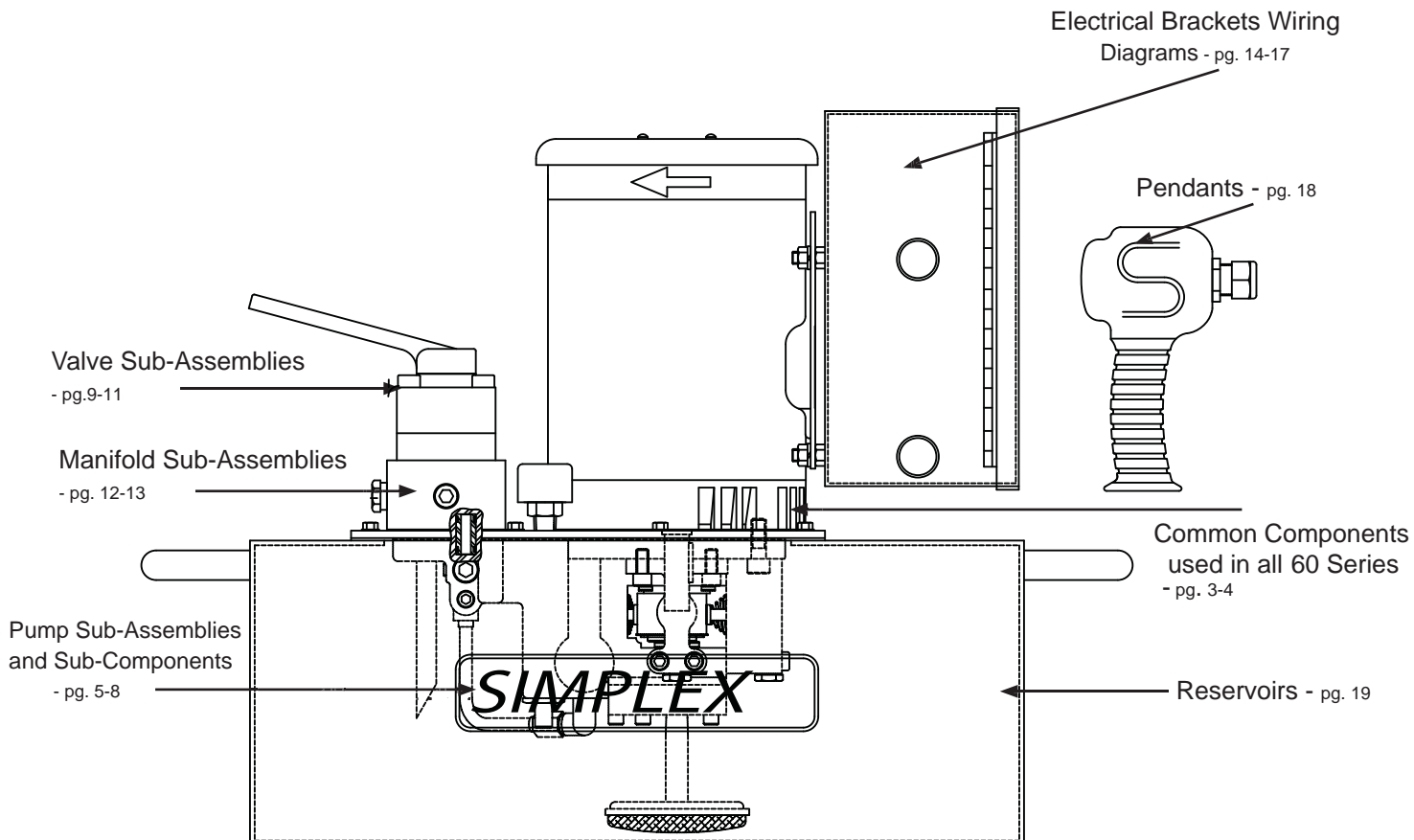
PARTS IDENTIFICATION MANUAL

Reference # - TD065

Rev. - D

Date - 1/12

This illustration is for reference purposes only. The appearance of your unit may differ from the unit shown.



60 Series Electric Power Pump

How to Identify Parts for Your Model.

Understanding our model number configurations

| Sample Model # | P | E | M | 6 | 0 | 3 | 5 | |
|----------------|-----------------|---|---|------------------------------|--|--|--|---|
| Description | Power Pump Type | Motor Type / Controls E = Electric / no pendant P = Electric w/ pendant F = Electric w/ foot control | Valve Style M = Manual Valve S = Solenoid Valve | Pump Series 6 = 60 Series | Options 0 = no options 2 = heat exchanger & filter 4 = oil filter | Valve type 2 = 2 way 2 position 3 = 3 way 3 position 4 = 4 way 3 position 5 = 3 way locking 6 = 4 way locking | Reservoir Size 5 = 5 gallon 6 = 10 gallon 7 = 10 gallon | Motor Voltage Blank = 230V A = 460V B = 380V C = 575V |

MODEL NUMBER & DATE CODE LOCATION

For Example, the date code and serial number

J= **October**

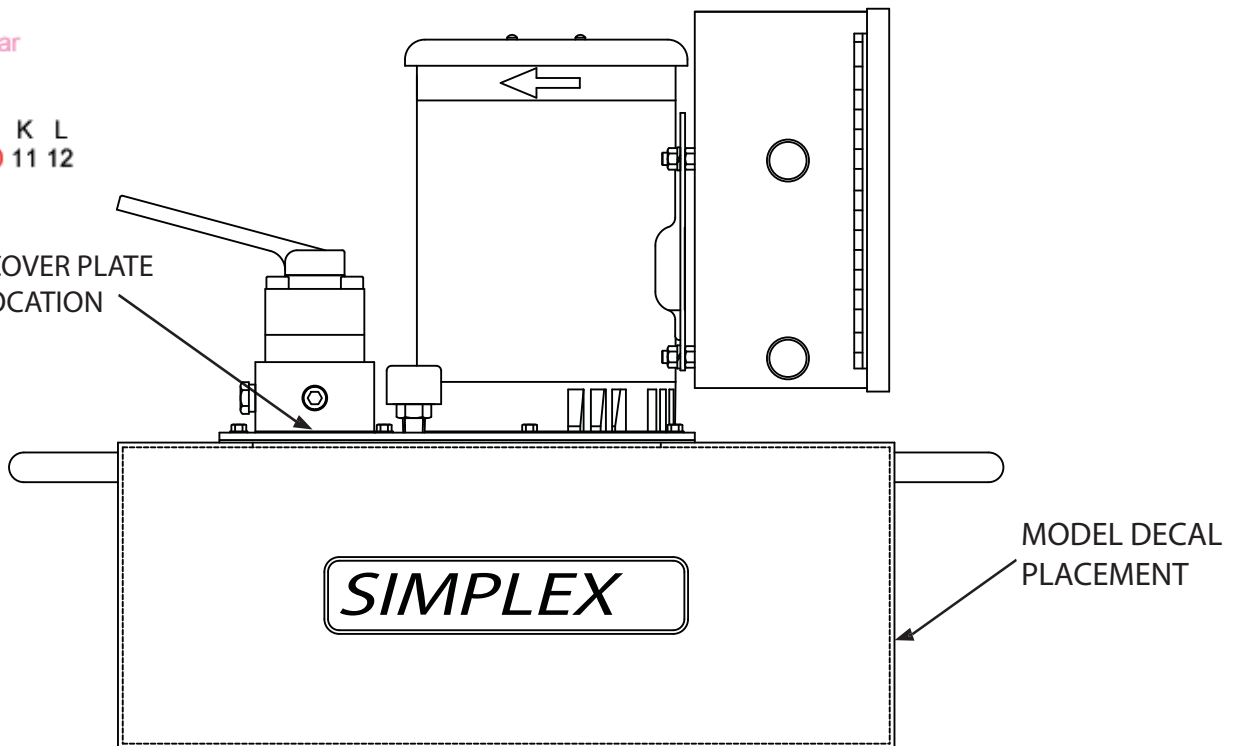
07 = **Year 2007**

42= **Week number in year**

J 07 42

A B C D E F G H I J K L
1 2 3 4 5 6 7 8 9 10 11 12

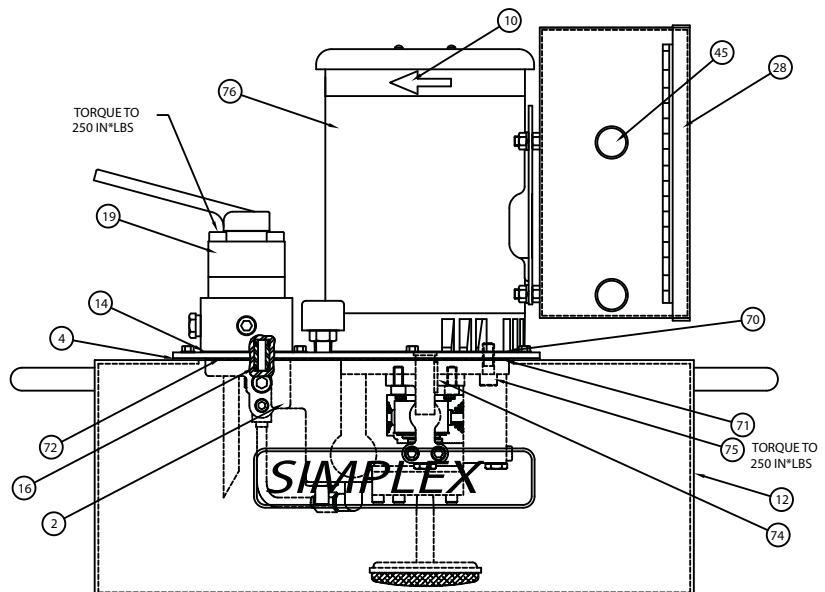
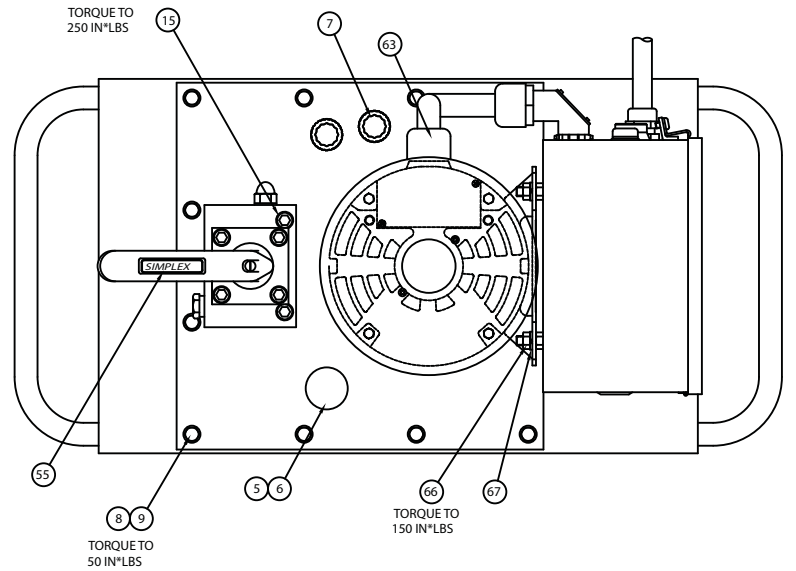
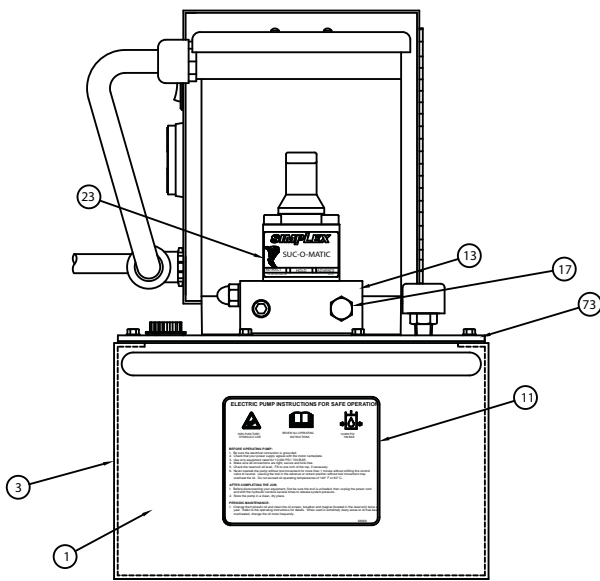
DATE CODE COVER PLATE
STAMPING LOCATION



60 Series Electric Power Pump

Common components used in pumps

Note: This illustration is for reference only. The appearance of your unit may differ from the unit shown.



60 Series Electric Power Pump

Common components used in pumps

| ITEM # | DESCRIPTION | PART # | | | | QTY. |
|--------|--|----------------|--------|--------|--------|-------|
| | | 230V | 460V | 380 V. | 575 V. | |
| 02 | PUMP ASM 4P 3HP | SEE PAGE 5-8 | | | | 1.00 |
| 03 | RESERVOIR - 5 GAL. | SEE PAGE 19 | | | | 1.00 |
| 04 | GASKET RES | SEE PAGE 19 | | | | 1.00 |
| 05 | BREATHER VENT BF-4 | 68000 | 68000 | 68000 | 68000 | 1.00 |
| 06 | HEX STL PIPE PLUG 1/4 NPTF | 87492 | 87492 | 87492 | 87492 | 1.00 |
| 07 | FILLER PLUG | 68571 | 68571 | 68571 | 68571 | 2.00 |
| 08 | HHCS 1/4-20 x 3/4 LG PLATED | 65891 | 65891 | 65891 | 65891 | 12.00 |
| 09 | SEALING WASHER | 65892 | 65892 | 65892 | 65892 | 12.00 |
| 10 | ARROW DECAL | 68094 | 68094 | 68094 | 68094 | 1.00 |
| 11 | LABEL SAFE USE ELEC | 68068 | 68068 | 68068 | 68068 | 1.00 |
| 12 | BLANK DECAL 3 X 4 | 87305 | 87305 | 87305 | 87305 | 1.00 |
| 13 | MANIFOLD ASM | SEE PAGE 12-13 | | | | 1.00 |
| 14 | VALVE GASKET | 69242 | 69242 | 69242 | 69242 | 1.00 |
| 14 | VALVE GASKET (4 WAY LOCK) | 68581 | 68581 | 68581 | 68581 | 1.00 |
| 15 | SHCS 3/8-16 X2 1/4 (2WAY, 3WAY & 4WAY) | 93598 | 93598 | 93598 | 93598 | 3.00 |
| 15 | SHCS 3/8-16 X2 3/4 (LOCK 3WAY/4WAY) | 99921 | 99921 | 99921 | 99921 | 3.00 |
| 16 | ADAPTER ASSY. | SEE PAGE 7 | | | | 1.00 |
| 17 | HEX PIPE PLG 3/8" W/ COAT (4 WAY) | 87145 | 87145 | 87145 | 87145 | 2.00 |
| 17 | HEX ST. PIPE PLUG 3/8 NPTF (2WAY 3WAY) | 87145 | 87145 | 87145 | 87145 | 1.00 |
| 19 | VALVE ASM | SEE PAGE 9-11 | | | | 1.00 |
| 20 | SHCS 3/8-16 X3 1/2 (SOLENOID ONLY) | 88363 | 88363 | 88363 | 88363 | 4.00 |
| 21 | LOCKWASHER 3/8 PLATED (SOLENOID ONLY) | 93943 | 93943 | 93943 | 93943 | 4.00 |
| 23 | RET VLV DECAL (3 WAY MANUAL) | 68199 | 68199 | 68199 | 68199 | 1.00 |
| 23 | RET VLV DECAL (4 WAY MANUAL) | 68069 | 68069 | 68069 | 68069 | 1.00 |
| 23 | RET VLV DECAL (3 WAY SOLENOID) | 45120 | 45120 | 45120 | 45120 | 1.00 |
| 23 | RET VLV DECAL (4 WAY SOLENOID) | 45118 | 45118 | 45118 | 45118 | 1.00 |
| 28 | CONTROL BOX ASM. PEM/PES | 69979B | 69979C | 69979D | 69979E | 1.00 |
| 28 | CONTROL BOX ASM. PPS | 45667B | 45667C | 45667D | 45667E | 1.00 |
| 28 | CONTROL BOX ASM. PPS | 45611B | 45611C | 45611D | 45611E | 1.00 |
| 32 | FITTING, CORD L-TIGHT | 68375 | 68375 | 68375 | 68375 | 1.00 |
| 33 | LOCKNUT 1/2 INCH | 85510 | 85510 | 85510 | 85510 | 2.00 |
| 34 | POWER CORD 14-4 | 69812R | 69812R | 69812R | 69812R | 10.00 |
| 38 | SPADE, TERMINAL | 65887 | 65887 | 65887 | 65887 | 3.00 |
| 45 | HOLE PLUG 7/8 THIN | 44680 | 44680 | 44680 | 44680 | 1.00 |
| 55 | SIMPLEX LOGO | 88187 | 88187 | 88187 | 88187 | 1.00 |
| 56 | QUICK DISCON. FLAG | 45122 | 45122 | 45122 | 45122 | 3.00 |
| 57 | GREEN VINYL WIRE | 68173G | 68173G | 68173G | 68173G | 2.50 |
| 58 | HOOK-UP WIRE BLUE | 68959 | 68959 | 68959 | 68959 | 36.00 |
| 59 | WIRE BROWN 12GA | 68975 | 68975 | 68975 | 68975 | 36.00 |
| 60 | WIRE ORANGE 12GA | 68976 | 68976 | 68976 | 68976 | 36.00 |
| 61 | TIE CABLE | 68683 | 68683 | 68683 | 68683 | 2.00 |
| 62 | ELBOW | 68749 | 68749 | 68749 | 68749 | 1.00 |
| 63 | CONNECTORS NYLON STR | 68961 | 68961 | 68961 | 68961 | 2.00 |
| 64 | TUBING LIQUID TIGHT | 68962 | 68962 | 68962 | 68962 | 12.00 |
| 65 | HEATER PACK 9.1-14 A | 69705 | 69492 | 69492 | 69492 | 1.00 |
| 66 | HEX NUT 5/16-18 | 93850 | 93850 | 93850 | 93850 | 8.00 |
| 67 | LOCK WASHER 5/16 | 93942 | 93942 | 93942 | 93942 | 4.00 |
| 68 | HHCS 5/16-18X1" LG | 95059 | 95059 | 95059 | 95059 | 4.00 |
| 70 | GASKET-MOTOR | 66012 | 66012 | 66012 | 66012 | 1.00 |
| 71 | GASKET-PUMP @ MOTOR | 68231 | 68231 | 68231 | 68231 | 1.00 |
| 72 | GASKET-PUMP @ VALVE | 68551 | 68551 | 68551 | 68551 | 1.00 |
| 73 | COVER PLATE | 68682P | 68682P | 68682P | 68682P | 1.00 |
| 74 | PIN, DOWEL 3/16 1 | 69026 | 69026 | 69026 | 69026 | 1.00 |
| 75 | SHCS 3/8-16X1-1/4 | 93596 | 93596 | 93596 | 93596 | 2.00 |
| 76 | MOTOR 5HP | 69027 | 69027 | 69027 | 69027 | 1.00 |
| NS | NIPPLE (10 / 20 GAL RES.) | 88058 | 88058 | 88058 | 88058 | 1.00 |
| NS | PIPE COUP 1/4 (10/ 20 GAL RES) | 80241 | 80241 | 80241 | 80241 | 1.00 |

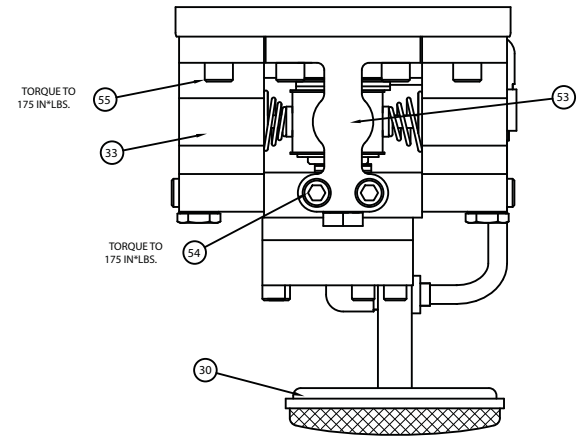
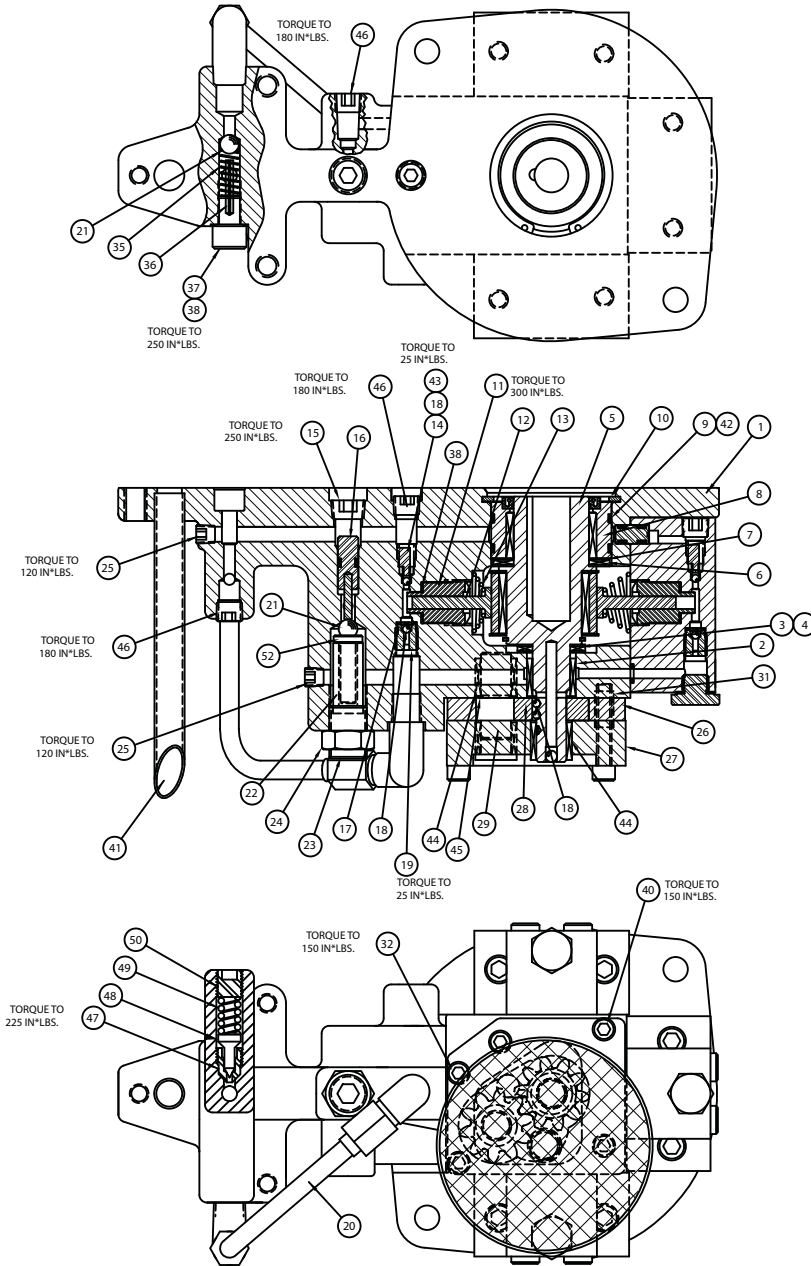
NOTE: COMMON COMPONENTS ARE LISTED FOR ALL MODEL CONFIGURATIONS. UNIQUE ITEMS WILL BE REFERENCED TO ANOTHER PAGE.

60 Series Electric Power Pump

(45255SS) SUB PUMP ASSEMBLY
230 V. 460 V. & 380 V.

Sub Pump Assembly

(18850SS) SUB PUMP ASSEMBLY
575 V. ONLY.



60 Series Electric Power Pump

Sub Pump Assembly

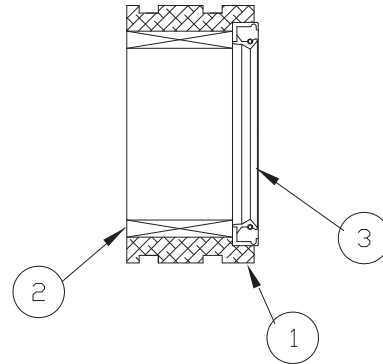
| ITEM # | DESCRIPTION | PART # | | QTY. |
|--------|------------------------------|------------|----------|------|
| | | 45255SS | 18850SS | |
| 01 | PUMP BODY 4 PISTON | 44917 | 44917 | 1.00 |
| 02 | BEARING ROLLER 5/8x13/16x5/8 | 68360 | 68360 | 1.00 |
| 03 | THRUST BEARING | 66033 | 66033 | 1.00 |
| 04 | THRUST WASHER | 66474 | 66474 | 2.00 |
| 05 | SHAFT-ECC ASM 5/8" | SEE PAGE 7 | | 1.00 |
| 06 | THRUST BEARING | 66106 | 66106 | 1.00 |
| 07 | THRUST WASHER | 66108 | 66108 | 2.00 |
| 08 | ADAPTER-SHAFT ASM | SEE PAGE 7 | | 1.00 |
| 09 | O-RING 1 7/8X2" URE | 56020322 | 56020322 | 2.00 |
| 10 | RETAINING RING | 68978 | 68978 | 1.00 |
| 11 | ADAPTOR .255 DIA. | 68909 | 68909 | 1.00 |
| 12 | PISTON .255 DIA. | 68222 | 68222 | 1.00 |
| 13 | SPRING, PISTON | 68340 | 68340 | 1.00 |
| 14 | BALL STOP | 68810 | 68810 | 1.00 |
| 15 | 1/4 SOC PIPE PLUG | 93950 | 93950 | 1.00 |
| 16 | UNLOADING PISTON ASSEMBLY | SEE PAGE 7 | | 1.00 |
| 17 | BALL RETAINER | 66043 | 66043 | 1.00 |
| 18 | BALL 1/8" | 90906 | 90906 | 7.00 |
| 19 | INTAKE SEAT | 66046 | 66046 | 1.00 |
| 20 | TUBE ASM | 68851 | 68851 | 1.00 |
| 21 | BALL 5/16" | 91701 | 91701 | 2.00 |
| 22 | UNLOADING SPRING | 43671 | 43671 | 1.00 |
| 23 | SET SCREW UNLOADING VALVE | 43674 | 43674 | 1.00 |
| 24 | HEX NUT UNLOADING VALVE | 43675 | 43675 | 1.00 |
| 25 | 1/16 SOC PIPE PLUG | 97641 | 97641 | 2.00 |
| 26 | PLATE-CENTER .375 | 68855 | 68855 | 1.00 |
| 27 | PLATE-BOTTOM | 68849 | 68849 | 1.00 |
| 28 | GEAR-PUMP .375 | 68896 | 68896 | 2.00 |
| 29 | SHAFT-IDLER | 68850 | 68850 | 1.00 |
| 30 | SCREEN | 68884 | 68884 | 1.00 |
| 31 | TUBE-GUIDE .22 | 68922 | 68922 | 2.00 |
| 32 | SHCS 1/4-28 X 1 1/2 | 89148 | 89148 | 1.00 |
| 33 | PISTON BLK .290 | PAGE 8 | | 2.00 |
| 35 | SPRING | 68225 | 68225 | 1.00 |
| 36 | ROLL PIN 1/8X15/16 | 81332 | 81332 | 1.00 |
| 37 | SCREW, BALL STOP | 68226 | 68226 | 1.00 |
| 38 | GASKET 25/64X19/32 | 85726 | 85726 | 2.00 |
| 40 | SHCS 1/4-28 X 1 3/4 | 68255 | 68255 | 4.00 |
| 41 | TUBE RETURN | 68569 | 68569 | 1.00 |
| 42 | SHAFT ADP BACKUP WAS | 69513 | 69513 | 2.00 |
| 43 | SPRING | 66042 | 66042 | 1.00 |
| 44 | BEARING ROLLER 1/2x11/16x1/2 | 68891 | 68891 | 3.00 |
| 45 | RING-RETAINING | 68892 | 68892 | 1.00 |
| 46 | PIPE PLUG 1/8" FLUSH | 81093 | 81093 | 3.00 |
| 47 | SEAT - EXT RELIEF | 68004 | 68004 | 1.00 |
| 48 | CONE - EXT RELIEF | 68003 | 68003 | 1.00 |
| 49 | SPRING - RELIEF VALVE | 66085 | 66085 | 1.00 |
| 50 | RELIEF VALVE ADJUSTING SCRW | 66083 | 66083 | 1.00 |
| 52 | SPRING CAP UNLOADING VALVE | 43673 | 43673 | 1.00 |
| 53 | PISTON BLK .255 | SEE PAGE 8 | | 1.00 |
| 54 | SHCS 5/16-24 X 1.75 | 69392 | 69392 | 6.00 |
| 55 | SHCS 5/16-24 X 5/8 | 82687 | 82687 | 6.00 |

60 Series Electric Power Pump

Sub Component Assemblies

(68829SS) ADAPT-SHAFT ASM.

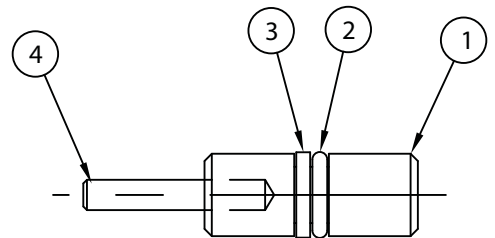
| ITEM # | DESCRIPTION | PART # | QTY. |
|--------|---------------|--------|------|
| 1 | ADAPTER-SHAFT | 68912 | 1.00 |
| 2 | BEARING | 66030 | 1.00 |
| 3 | SEAL | 68901 | 1.00 |



(43766SS) UNLOAD. PISTON ASM.

| ITEM # | DESCRIPTION | PART # | QTY. |
|--------|----------------|---------|------|
| 01 | UNLOAD PISTON | 43765 | 1.00 |
| 02 | O RING | 5602009 | 1.00 |
| 03 | BACK-UP WASHER | 43768 | 1.00 |
| 04 | ROLL PIN | 43686 | 1.00 |

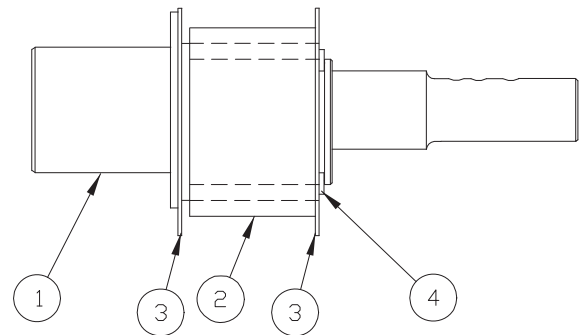
ASSEMBLE WITH
LOCTITE 609



(68811SS, 68906SS) ECCENTRIC SHAFT ASM.

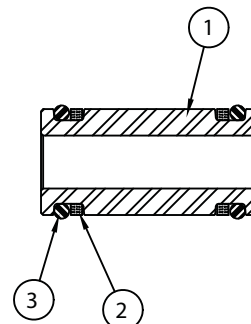
| ITEM # | DESCRIPTION | PART # | | QTY. |
|--------|-----------------|--------|-------|------|
| | | 68811 | 68906 | |
| 01 | ECCENTRIC SHAFT | 68859 | 68907 | 1.00 |
| 02 | ECC ASM | 68818 | 68818 | 1.00 |
| 03 | BEARING WASHER | 69475 | 69475 | 2.00 |
| 04 | RET. RING | 67863 | 67863 | 1.00 |
| NS | BALL 3/16" | 90548 | 90548 | 1.00 |

45255SS 18850SS



(68963SS) ADAPTER ASM.

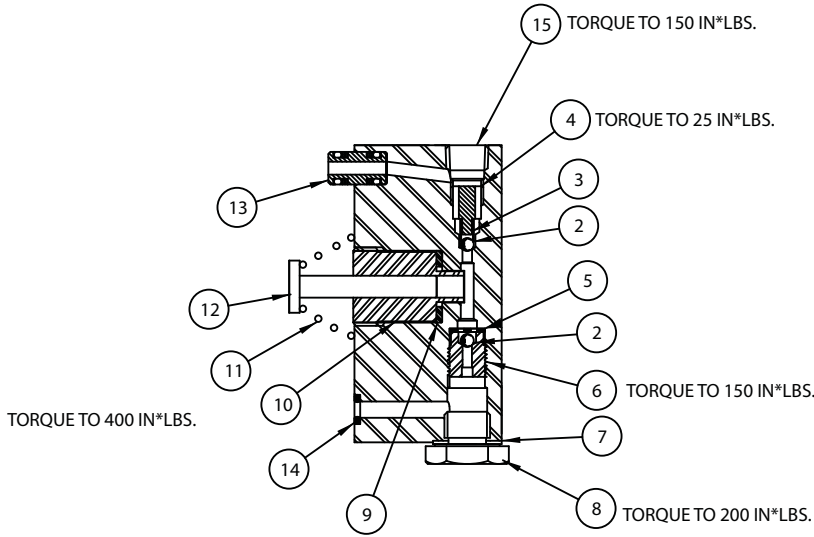
| ITEM # | DESCRIPTION | PART # | QTY. |
|--------|----------------|---------|------|
| 1 | VALVE ADAPTER | 88073 | 1.00 |
| 2 | B-U RING | 65881 | 2.00 |
| 3 | O-RING 3/8X1/2 | 5602012 | 2.00 |



60 Series Electric Power Pump

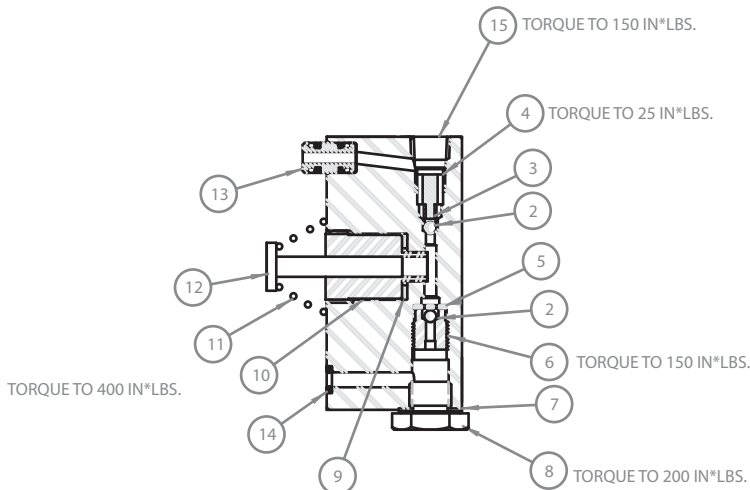
Sub Component Assemblies

(68898SS) PISTON BLK.



| ITEM # | DESCRIPTION | PART # | QTY. |
|--------|--------------------|---------|------|
| 02 | BALL 1/8" | 90906 | 2.00 |
| 03 | SPRING | 66042 | 1.00 |
| 04 | BALL STOP | 68810 | 1.00 |
| 05 | BALL RETAINER | 66043 | 1.00 |
| 06 | INTAKE SEAT | 66046 | 1.00 |
| 07 | GASKET 29/64 X 5/8 | 86269 | 1.00 |
| 08 | SCREW | 68825 | 1.00 |
| 09 | GASKET 25/64X19/32 | 85726 | 1.00 |
| 10 | ADAPTOR .255 DIA. | 68909 | 1.00 |
| 11 | SPRING, PISTON | 68340 | 1.00 |
| 12 | PISTON .255 DIA. | 68222 | 1.00 |
| 13 | ADAPTER ASSY. | 68970 | 1.00 |
| 14 | O-RING 3/16X5/16 | 5602008 | 1.00 |
| 15 | PIPE PLUG 1/8" | 81093 | 1.00 |

(68899SS) .290 PISTON BLK.

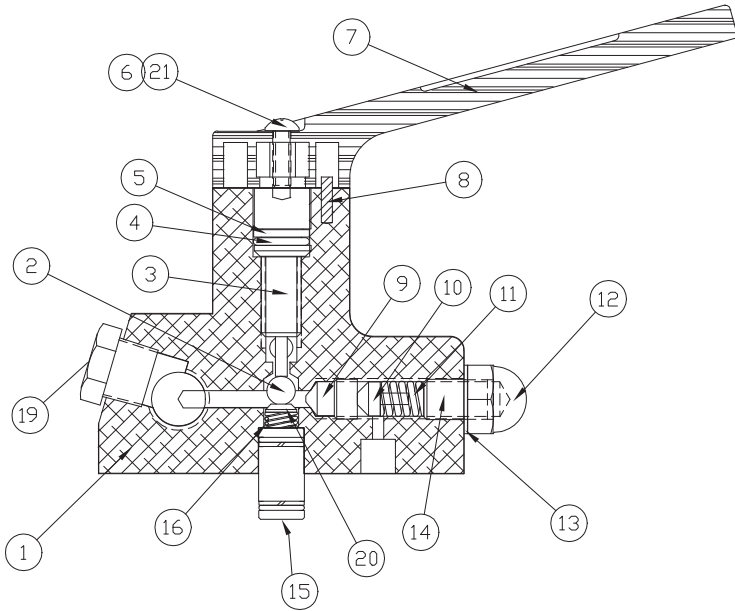


| ITEM# | DESCRIPTION | PART # | QTY |
|-------|----------------------|---------|-----|
| 1 | PISTON BLOCK MACH'G | 68501 | 1 |
| 2 | BALL 1/8" | 90906 | 2 |
| 3 | SPRING | 66042 | 1 |
| 4 | BALL STOP | 68810 | 1 |
| 5 | BALL RETAINER | 66043 | 1 |
| 6 | INTAKE SEAT | 66046 | 1 |
| 7 | GASKET 29/64 X 5/8 | 86269 | 1 |
| 8 | PLUG PISTON BLOCK | 68825 | 1 |
| 9 | GASKET 25/64X19/32 | 85726 | 1 |
| 10 | ADAPTER-.290 PISTON | 68820 | 1 |
| 11 | SPRING, PISTON | 68340 | 1 |
| 12 | PISTON-.290 DIA | 68819 | 1 |
| 13 | ADAPTER ASSY. | 68970 | 1 |
| 14 | O-RING 3/16X5/16 | 5602008 | 1 |
| 15 | 1/8 FLUSH PLUG W/SEA | 81093 | 1 |

60 Series Electric Power Pump

Valve Sub Assembly

(69094SS) 2 WAY MANUAL



| ITEM # | DESCRIPTION | PART# | |
|--------|-----------------------|------------|------|
| | | 2 WAY VAL. | QTY. |
| 01 | 2 WAY VALVE | 69092 | 1.00 |
| 02 | BALL | 91701 | 1.00 |
| 03 | VALVE STEM | 69095 | 1.00 |
| 04 | O-RING | 5602111 | 1.00 |
| 05 | BACKUP WASHER | 5608111 | 1.00 |
| 06 | SCREW | 44595 | 1.00 |
| 07 | VALVE HANDLE | 69091 | 1.00 |
| 08 | ROLL PIN | 93835 | 2.00 |
| 09 | SEAT - EXT RELIEF | ++ | 1.00 |
| 10 | CONE - EXT RELIEF | ++ | 1.00 |
| 11 | SPRING - RELIEF VALVE | ++ | 1.00 |
| 12 | ACORN NUT | 69105 | 1.00 |
| 13 | WASHER | 69124 | 1.00 |
| 14 | ADJUSTING SCREW | 69104 | 1.00 |
| 15 | ADAPTER ASSY. | 68963 | 1.00 |
| 16 | SPRING | 68384 | 1.00 |
| NS | PIPE PLUG | 84084 | 1.00 |
| 18 | 1/4 SOC PIPE PLUG | 93950 | 1.00 |
| 19 | HEX ST. PIPE PLUG | 87145 | 1.00 |
| 20 | SPRING CAP | 69634 | 1.00 |
| 21 | LOCKWASHER | Y0010765 | 1.00 |

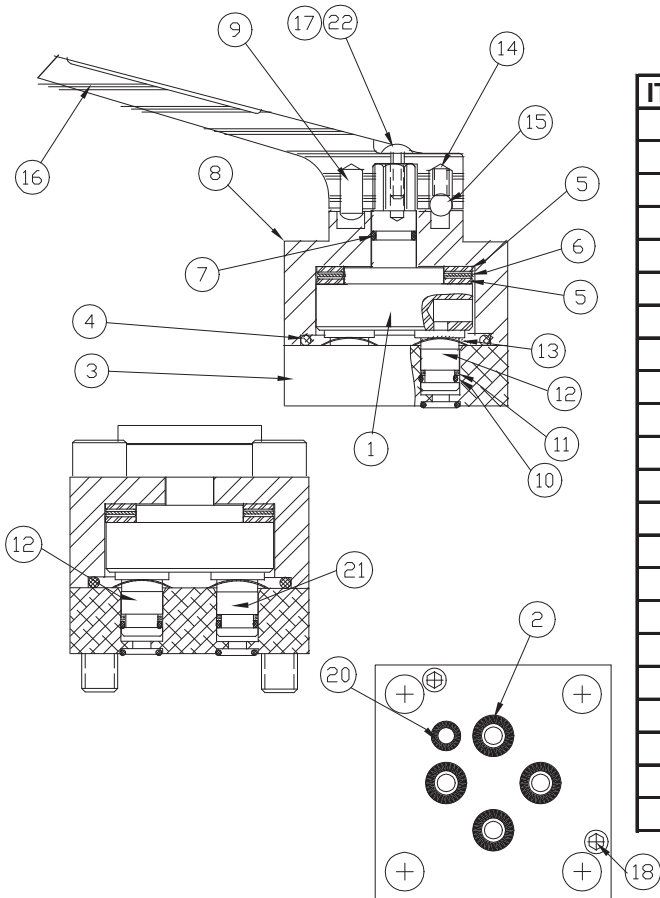
NS = NOT SHOWN

RELIEF REPLACEMENT KIT

(++ = COMPONENTS) -- PART #55057

(69101SS) 4 WAY MANUAL

(69691SS) 3 WAY MANUAL



| ITEM # | DESCRIPTION | -69691 | | -69101 | |
|--------|-------------------|-----------|------|-----------|------|
| | | 3 WAY VAL | QTY. | 4 WAY VAL | QTY. |
| 01 | VALVE ROTOR | 43762 | 1.00 | 43762 | 1.00 |
| 2 | O-RING | * | 2.00 | * | 4.00 |
| 03 | SUBPLATE- VALVE | 68180 | 1.00 | 68180 | 1.00 |
| 04 | O-RING | * | 1.00 | * | 1.00 |
| 05 | THRUST WASHER | 68026 | 2.00 | 68026 | 2.00 |
| 06 | THRUST BEARING | 68155 | 1.00 | 68155 | 1.00 |
| 07 | O-RING | * | 1.00 | * | 1.00 |
| 08 | UPPER VALVE BLOCK | 69135 | 1.00 | 69135 | 1.00 |
| 09 | DRIVE LOK PIN | 93804 | 1.00 | 93804 | 1.00 |
| 10 | O-RING | * | 6.00 | * | 3.00 |
| 11 | WASHER | * | 4.00 | * | 3.00 |
| 12 | SHEAR SEAL | 68029 | 3.00 | 68029 | 1.00 |
| 13 | SPRING WASHER | 68028 | 4.00 | 68028 | 3.00 |
| 14 | DETENT SPRING | 68025 | 1.00 | 68025 | 1.00 |
| 15 | BALL | 92549 | 1.00 | 92549 | 1.00 |
| 16 | VALVE HANDLE | 69091 | 1.00 | 69091 | 1.00 |
| 17 | SCREW | 44595 | 1.00 | 44595 | 1.00 |
| 18 | SCREW | 85317 | 2.00 | 85317 | 2.00 |
| NS | SCREW | 93598 | 4.00 | 93598 | 4.00 |
| 20 | O-RING | * | 1.00 | * | 1.00 |
| 21 | SHEAR SEAL | 68181 | 1.00 | 68181 | 2.00 |
| 22 | LOCKWASHER | Y0010765 | 1.00 | Y0010765 | 1.00 |

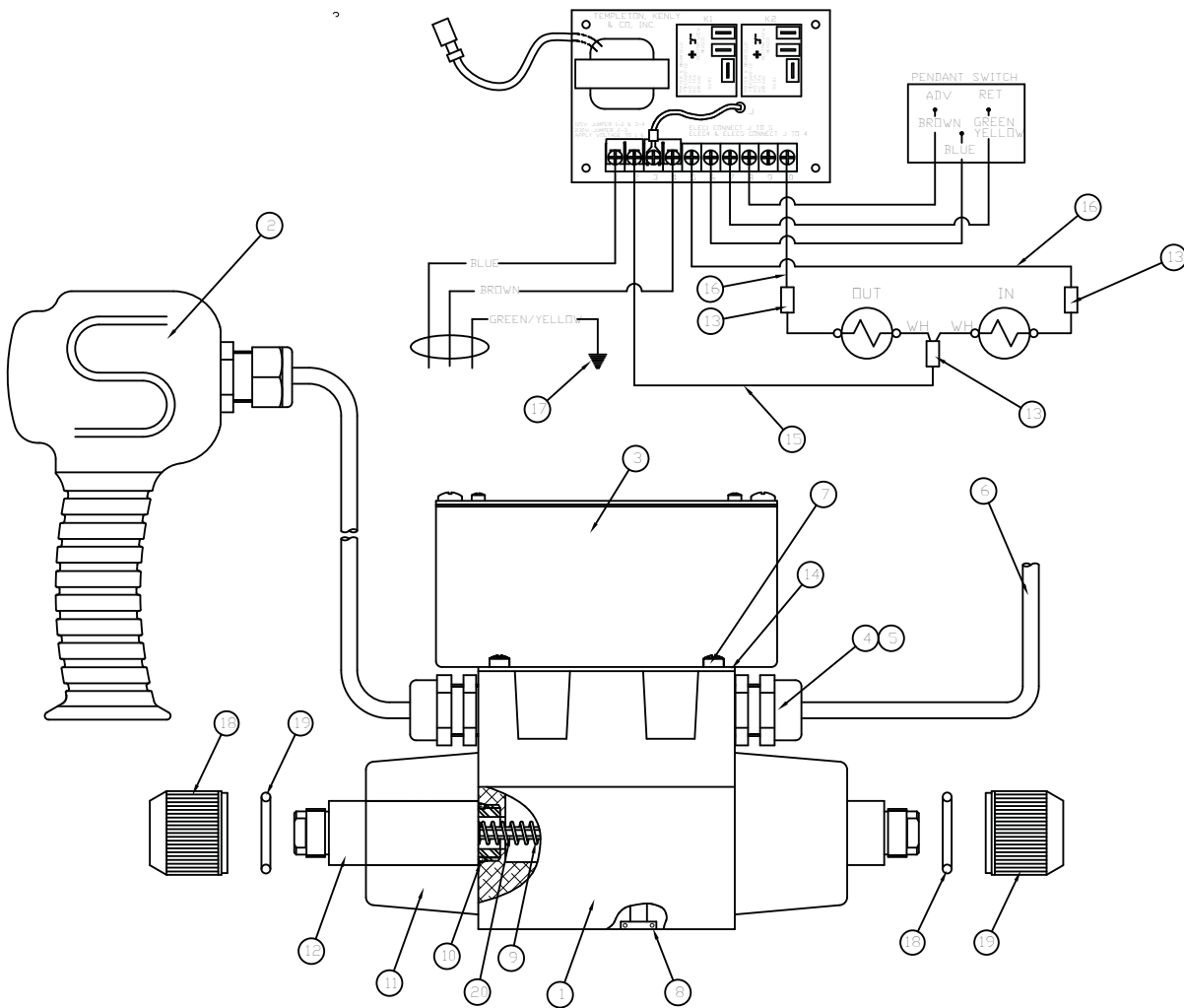
PACKING KIT 3 & 4 WAY MANUAL VALVE

(* = COMPONENTS) -- PART # 54490

60 Series Electric Power Pump

Valve Sub Assemblies

(69695SS) 3 & 4 WAY SOLENOID VALVE 115V.



| ITEM # | DESCRIPTION | PART # | QTY. |
|--------|----------------------|-------------|------|
| 1 | VALVE ASSEMBLY TC | SEE PAGE 11 | 1 |
| 2 | VALVE PENDANT | SEE PAGE 18 | 1 |
| 3 | BOX ASM | SEE PAGE 11 | 1 |
| 4 | FITTING CORD L-TIGHT | 68375 | 2 |
| 5 | LOCKNUT 1/2 INCH | 85510 | 2 |
| 6 | POWER CORD 14-3 IEC | 69604R | 36" |
| 7 | SCREW, FILL HD MACH | 98250 | 4 |
| 8 | O-RING 5/16X7/16 URE | * | 4 |
| 9 | SPRING | 68711 | 2 |
| 10 | O-RING SAE PORT #10 | * | 2 |
| 11 | COIL 115VAC K1649345 | 68730 | 2 |
| + 12 | PUSHER-SOLENOID | 68729SS | 2 |
| 13 | BUTT CONNECTOR | 66132 | 3 |
| 14 | GASKET COVER | 68389 | 1 |
| 15 | WIRE #14 WHITE | 68262 | 1 |
| 16 | WIRE #14 BLACK | 68261 | 2 |
| 17 | SPADE TERMINAL | 65887 | 1 |
| 18 | RETAINER | ++ | 2 |
| 19 | O-RING | ++ | 2 |
| 20 | PUSHER PIN | ++ | 2 |

| | | | |
|----|--|---------|--|
| * | PACKING KIT 4 WAY SOLENOID VALVE | 54491 | |
| + | PUSHER SOLENOID CONTAINS SPOOL ASSEMBLY, RETAINER, O-RING & PUSHER PIN | | |
| ++ | PUSHER REPAIR KIT | 68729RK | |
| | CONTAINS 2 EACH OF RETAINER, O-RING & PUSHER PIN | | |

60 Series Electric Power Pump

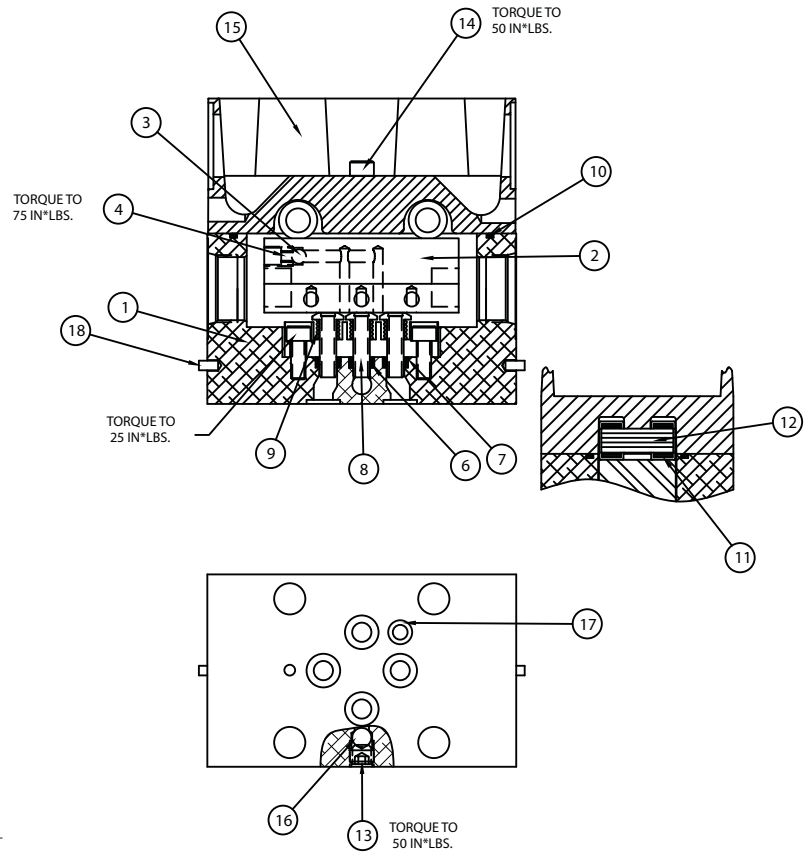
Valve Sub Assemblies

(68710SS) 3 & 4 WAY VALVE TC

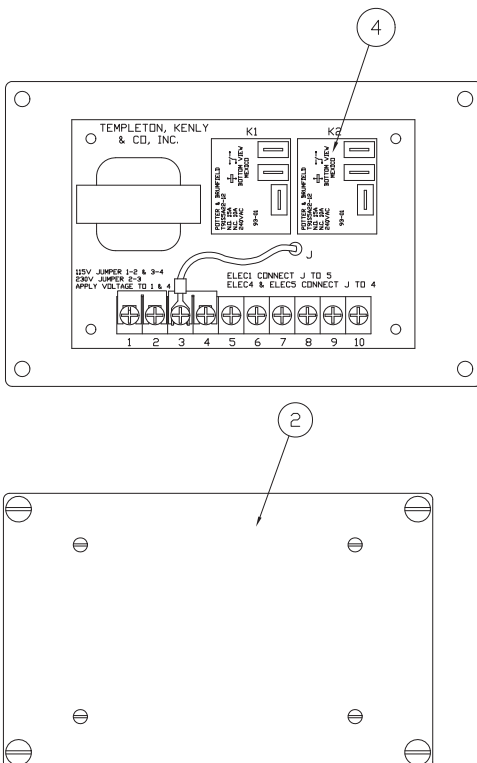
| ITEM# | DESCRIPTION | 3&4 SOL. | QTY. |
|-------|-------------------------|----------|------|
| 01 | BODY-VALVE | 68708 | 1.00 |
| 02 | SLIDER | 68709 | 1.00 |
| 03 | BALL | 90548 | 1.00 |
| 04 | SCREW | 40254 | 1.00 |
| 06 | O-RING | 5602009 | 3.00 |
| 07 | BACK UP WASHER | 68391 | 3.00 |
| 08 | SHEAR SEAL | 68383 | 3.00 |
| 09 | SPRING | 68384 | 3.00 |
| 10 | O-RING | 5602038 | 1.00 |
| 11 | BEARING,ROLLER | 68385 | 4.00 |
| 12 | PIN BEARING | 68390 | 2.00 |
| 13 | SET SCREW 5/16-18 X 1/4 | 94418 | 1.00 |
| 14 | SCREW | 68264 | 2.00 |
| 16 | BALL 1/4" | 92549 | 1.00 |
| 17 | O-RING | 5602008 | 1.00 |
| 18 | ROLL PIN | 69636 | 2.00 |

NS= NOT SHOWN PLATE-TOP 68381 1.00

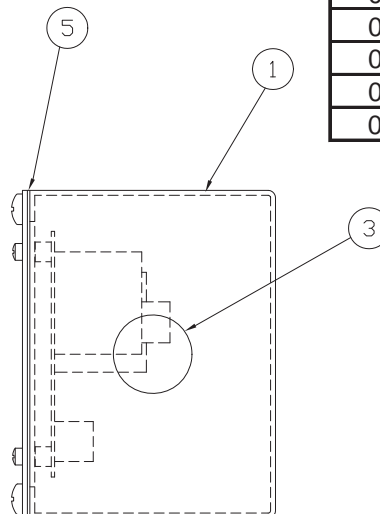
NOTE: 68710 VALVE ASM. USED IN BOTH 3 & 4 WAY SOLENOID ASM.



(68703SS) BOX ASSEMBLY



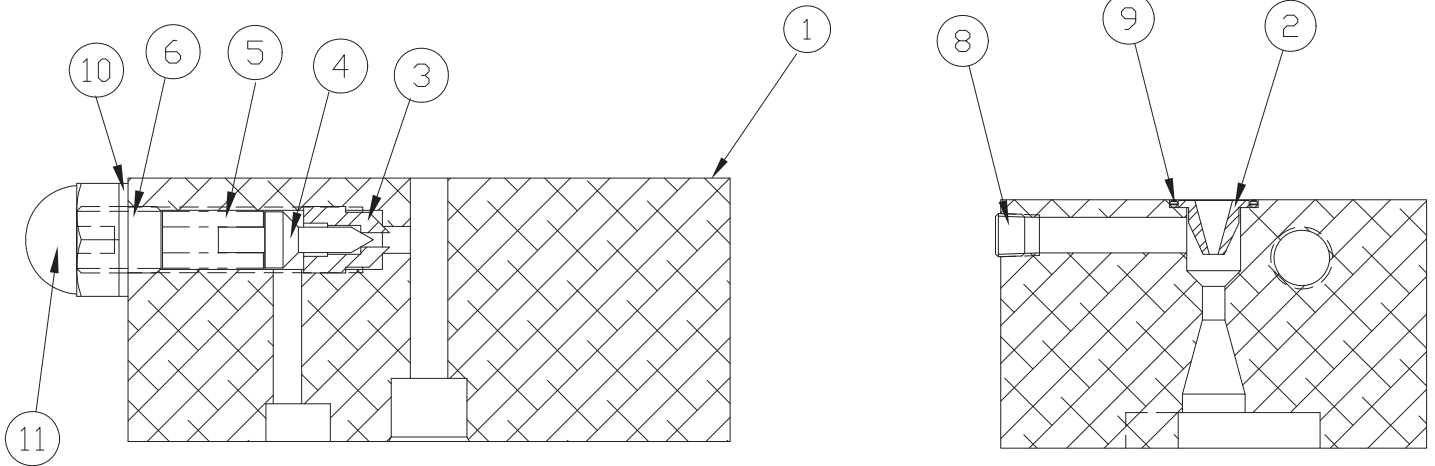
| ITEM # | DESCRIPTION | PART # | QTY. |
|--------|----------------------|--------|------|
| 01 | ELEC. BOX W/COVER | 69322P | 1.00 |
| 02 | ELEC. BOX COVER | 69303P | 1.00 |
| 03 | HOLE PLUG 7/8 THIN | 44680 | 2.00 |
| 04 | CIRCUIT BOARD ASM DC | 44444 | 1.00 |
| 05 | GASKET (ELEC. BOX.) | 69304 | 1.00 |



60 Series Electric Power Pump

Manifold Sub Assemblies

(69570SS) 3 WAY STANDARD



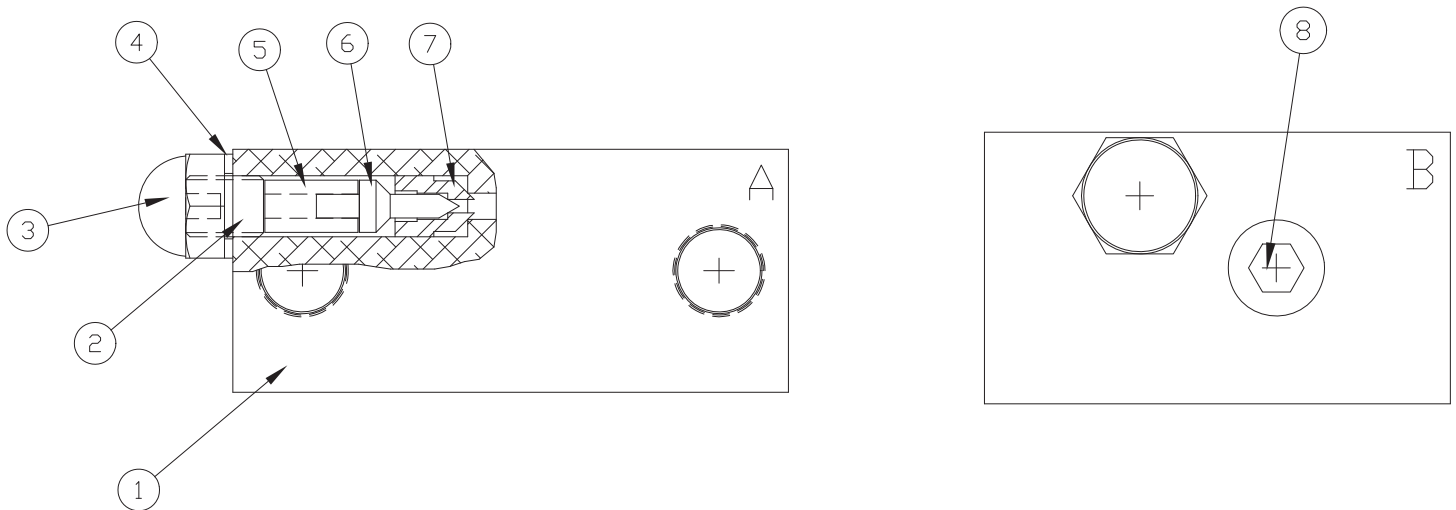
| ITEM# | DESCRIPTION | PART# | |
|-------|-----------------------|----------------|------|
| | | 3 WAY MAN. ASM | QTY. |
| 01 | RET. VALVE MANIFOLD | 69569 | 1.00 |
| 02 | NOZZLE-VALVE | 68197 | 1.00 |
| 03 | SEAT - EXT RELIEF | * | 1.00 |
| 04 | CONE - EXT RELIEF | * | 1.00 |
| 05 | SPRING - RELIEF VALVE | * | 1.00 |
| 6 | ADJUSTING SCREW | 69104 | 1.00 |

| ITEM# | DESCRIPTION | PART# | |
|-------|-----------------|----------------|------|
| | | 3 WAY MAN. ASM | QTY. |
| NS | PIPE PLUG | 84084 | 3.00 |
| 08 | PIPE PLUG-FLUSH | 40049 | 2.00 |
| 09 | O-RING | 5602014 | 1.00 |
| 10 | WASHER | 69124 | 1.00 |
| 11 | ACORN NUT | 69105 | 1.00 |

NS = NOT SHOWN

RELIEF REPLACEMENT KIT (* = COMPONENTS) -- PART # 55057

(69100SS) 4 WAY STANDARD



| ITEM# | DESCRIPTION | PART# | |
|-------|-----------------|----------------|------|
| | | 4 WAY MAN. ASM | QTY. |
| 01 | VALVE MANIFOLD | 69099 | 1.00 |
| 02 | ADJUSTING SCREW | 69104 | 1.00 |
| 03 | ACORN NUT | 69105 | 1.00 |
| 4 | WASHER | 69124 | 1.00 |

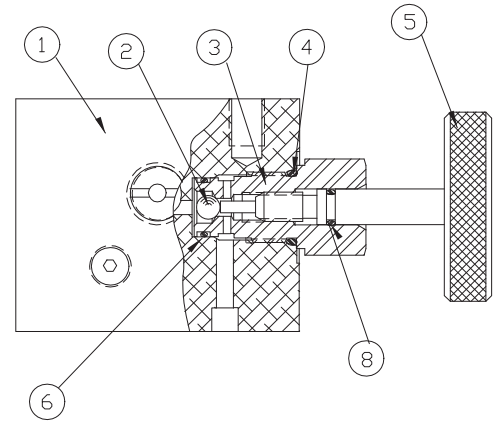
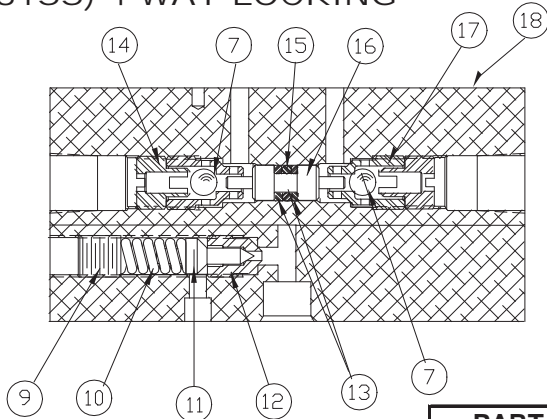
| ITEM# | DESCRIPTION | PART# | |
|-------|-----------------------|----------------|------|
| | | 4 WAY MAN. ASM | QTY. |
| 05 | SPRING - RELIEF VALVE | * | 1.00 |
| 06 | CONE - EXT RELIEF | * | 1.00 |
| 07 | SEAT - EXT RELIEF | * | 1.00 |
| 08 | PIPE PLUG | 84084 | 2.00 |

RELIEF REPLACEMENT KIT (* = COMPONENTS) -- PART # 55057

60 Series Electric Power Pump

Manifold Sub Assemblies

(68581SS) 4 WAY LOCKING

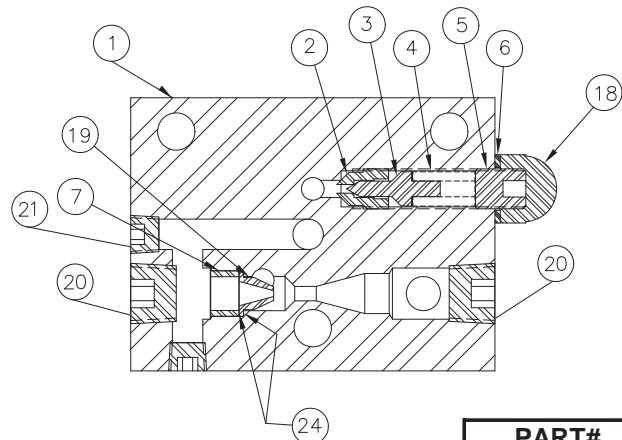
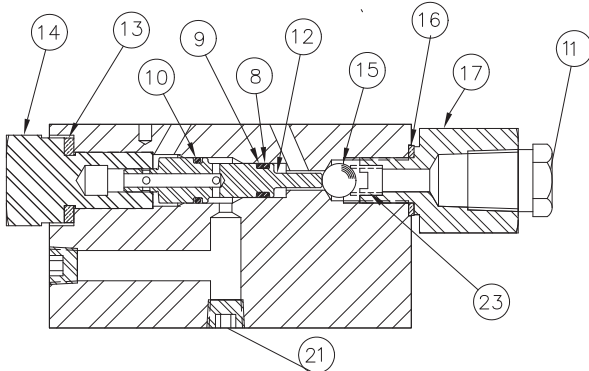


| ITEM # | DESCRIPTION | PART # | |
|--------|------------------------|------------|------|
| | | 3 WAY LOCK | QTY. |
| 01 | VALVE BODY LOCK VAL | 68591 | 1.00 |
| 02 | BALL | 92549 | 1.00 |
| 03 | RELEASE GLAND | 68637 | 1.00 |
| 04 | O-RING | * | 1.00 |
| 05 | RELEASE SCREW ASM | 89435 | 1.00 |
| 06 | O-RING | * | 1.00 |
| 07 | BALL | 92526 | 2.00 |
| 08 | O RING | * | 1.00 |
| 09 | RELIEF VALVE ADJ SCREW | 66083 | 1.00 |

| ITEM # | DESCRIPTION | PART # | |
|--------|-----------------------|------------|------|
| | | 4 WAY LOCK | QTY. |
| 10 | SPRING - RELIEF VALVE | ++ | 1.00 |
| 11 | CONE - EXT RELIEF | ++ | 1.00 |
| 12 | SEAT - EXT RELIEF | ++ | 1.00 |
| 13 | BU-WASHER | * | 2.00 |
| 14 | BALL RETAINER | 68589 | 2.00 |
| 15 | O-RING | 5602106 | 1.00 |
| 16 | SPOOL-LOCK VALVE | 68636 | 1.00 |
| 17 | SEAT | 68590 | 2.00 |
| 18 | PIPE PLUG | 82552 | 1.00 |

RELIEF REPLACEMENT KIT (++ = COMPONENTS) -- PART # 55057
 PACKING KIT 3 & 4 WAY LOCK VALVE (* = COMPONENTS) -- PART #54492

(69621SS) 3 WAY LOCKING



| ITEM# | DESCRIPTION | PART# | |
|-------|-----------------------|------------|------|
| | | 3 WAY LOCK | QTY. |
| 01 | VLV BODY LOCKING | 69573 | 1.00 |
| 02 | SEAT - EXT RELIEF | ++ | 1.00 |
| 03 | CONE - EXT RELIEF | ++ | 1.00 |
| 04 | SPRING - RELIEF VALVE | ++ | 1.00 |
| 05 | SCREW | 69104 | 1.00 |
| 06 | WASHER | 69124 | 1.00 |
| 07 | RETAINING SLEEVE | 69620 | 1.00 |
| 08 | O RING | * | 1.00 |
| 09 | BACK-UP WASHER | * | 1.00 |
| 10 | O-RING | * | 1.00 |
| 11 | HEX ST. PIPE PLUG | 87145 | 1.00 |
| 12 | SPOOL | 69574 | 1.00 |

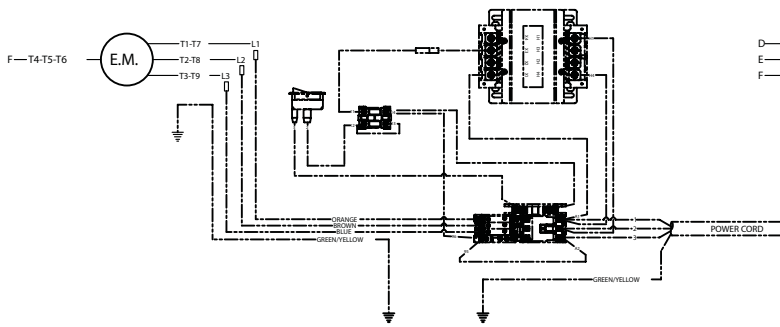
| ITEM# | DESCRIPTION | PART# | |
|-------|--------------------|------------|------|
| | | 4 WAY LOCK | QTY. |
| 13 | GASKET-PLUG | 68183 | 1.00 |
| 14 | PLUG-SPOOL | 68184 | 1.00 |
| 15 | BALL | 92550 | 1.00 |
| 16 | GASKET WASHER | 68080 | 1.00 |
| 17 | PORT ADAPTER | 68187 | 1.00 |
| 18 | ACORN NUT | 69105 | 1.00 |
| 19 | NOZZLE-VALVE | 68197 | 1.00 |
| 20 | PIPE PLUG 3/8" | 84084 | 2.00 |
| 21 | PIPE PLUG 1/8" | 81093 | 3.00 |
| NS | 1/16 PIPE PLUG- | 40049 | 2.00 |
| 23 | COMPRESSION SPRING | 68188 | 1.00 |
| 24 | LOCTITE | 41828 | 0.10 |

PACKING KIT 3 & 4 WAY LOCK VALVE (* = COMPONENTS) -- PART #54492
 RELIEF REPLACEMENT KIT (++ = COMPONENTS) -- PART # 55057

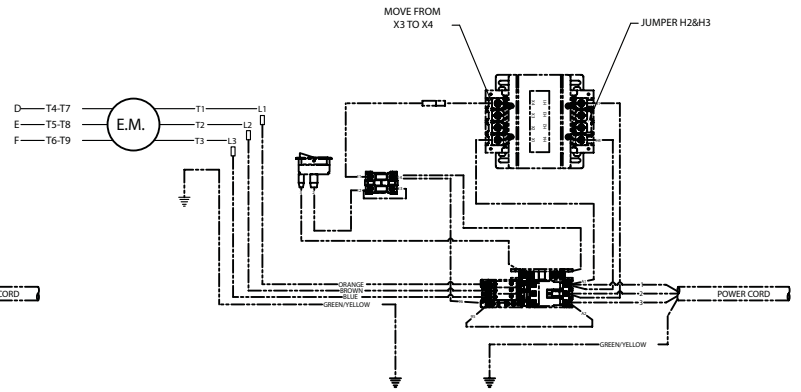
60 Series Electric Power Pump

Wire Configurations

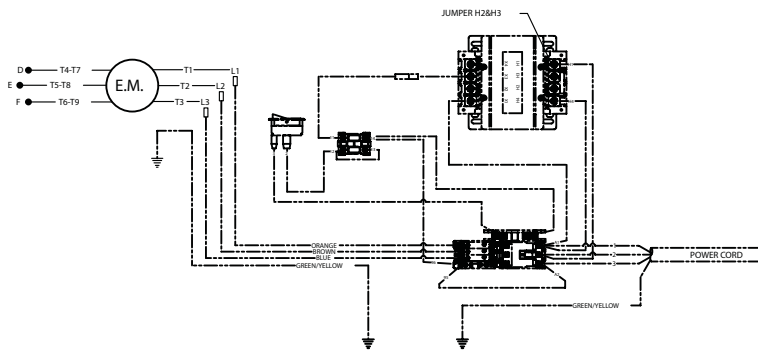
(MODEL PEM)
WIRING DIAGRAM 230V.



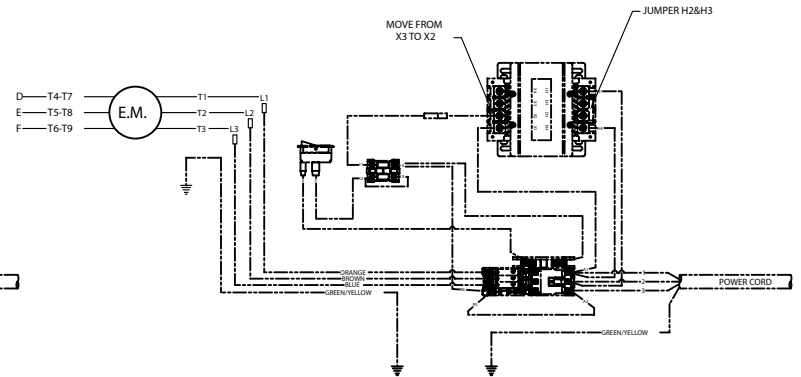
(MODEL PEM)
WIRING DIAGRAM 380V.



(MODEL PEM)
WIRING DIAGRAM 460V.



(MODEL PEM)
WIRING DIAGRAM 575V.

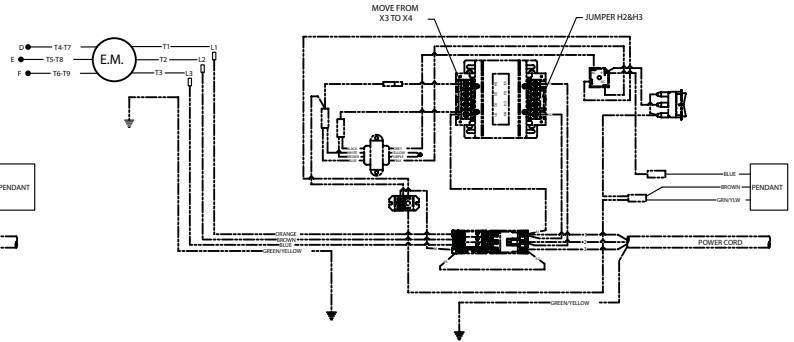
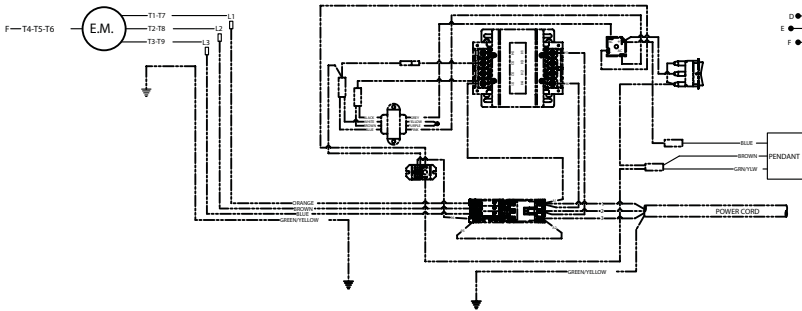


60 Series Electric Power Pump

Wire Configurations

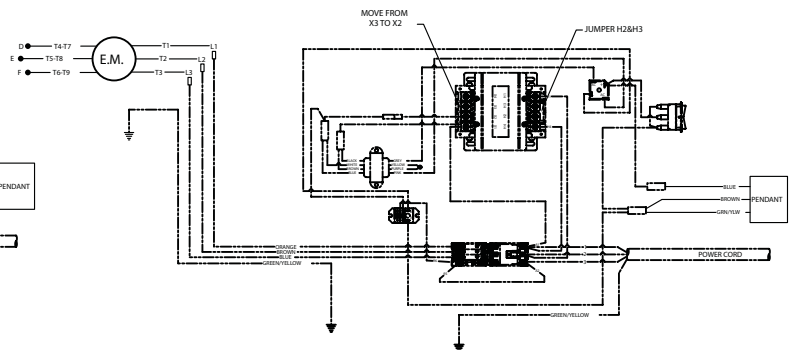
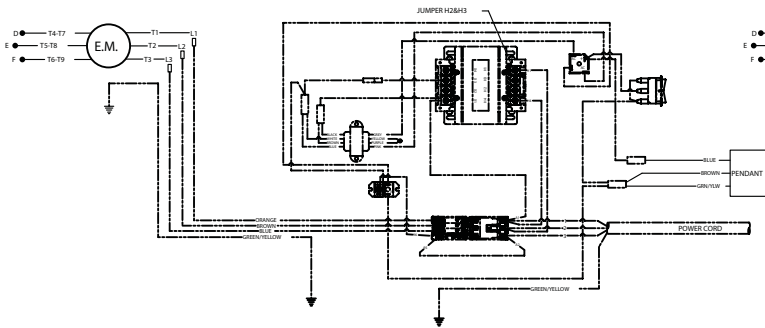
(MODEL PPM)
WIRING DIAGRAM 230V.

(MODEL PPM)
WIRING DIAGRAM 380V.



(MODEL PPM)
WIRING DIAGRAM 460V.

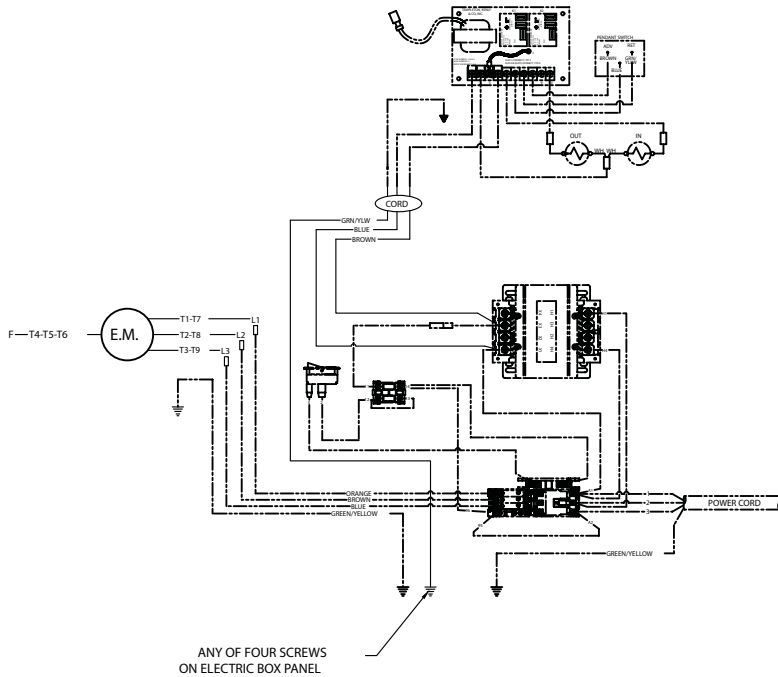
(MODEL PPM)
WIRING DIAGRAM 575V.



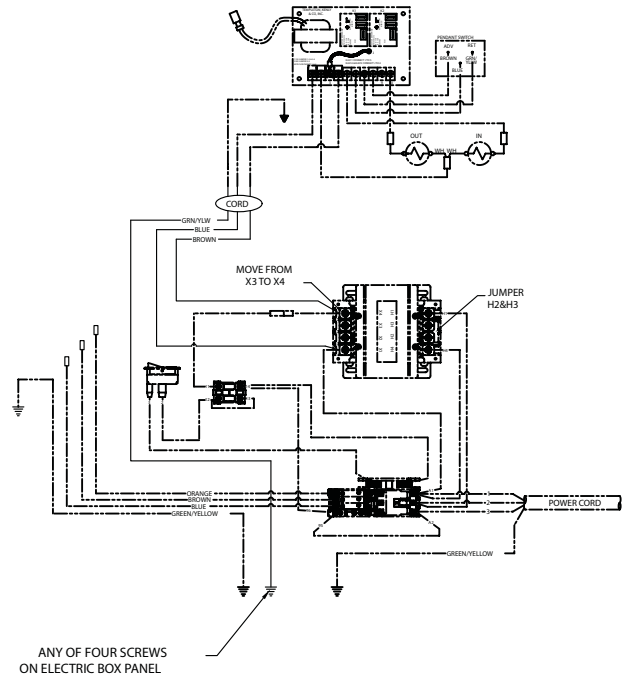
60 Series Electric Power Pump

Wire Configurations

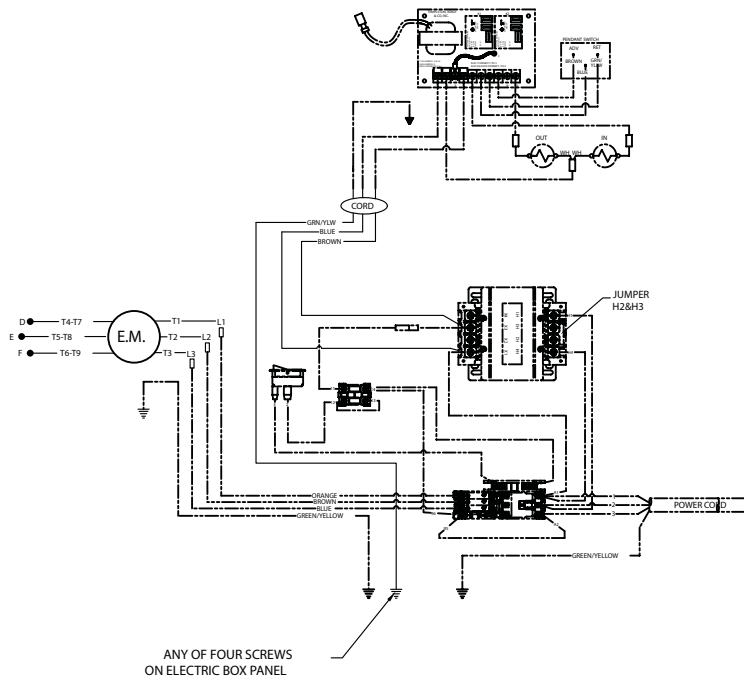
(MODEL PES)
WIRING DIAGRAM 230V.



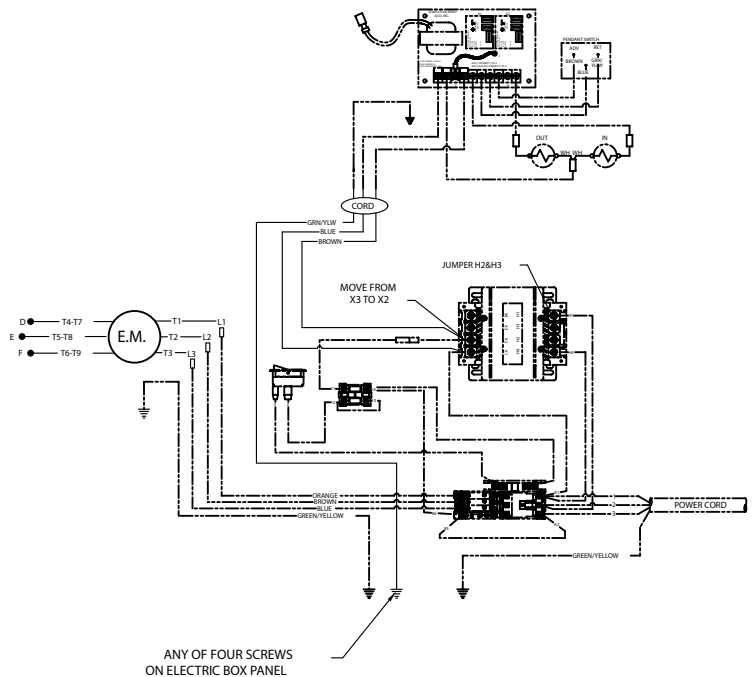
(MODEL PES)
WIRING DIAGRAM 380V.



(MODEL PES)
WIRING DIAGRAM 460V.



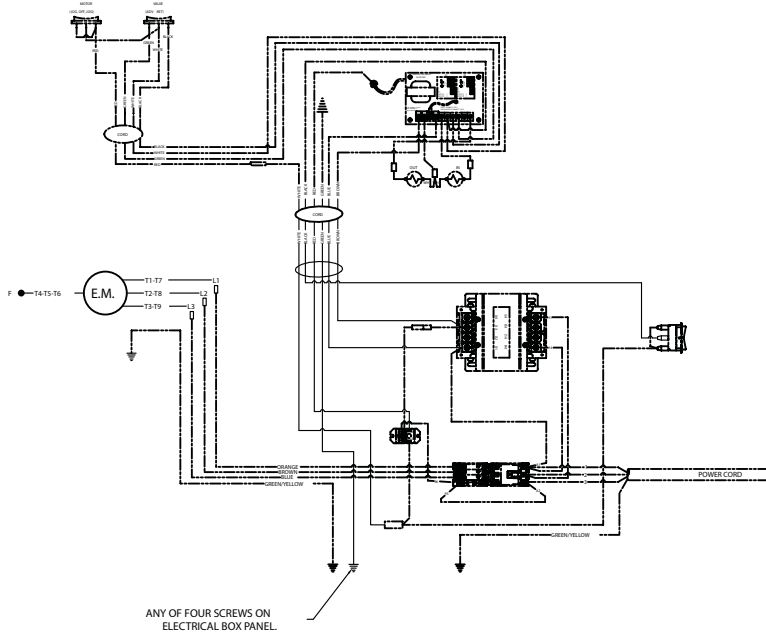
(MODEL PES)
WIRING DIAGRAM 575V.



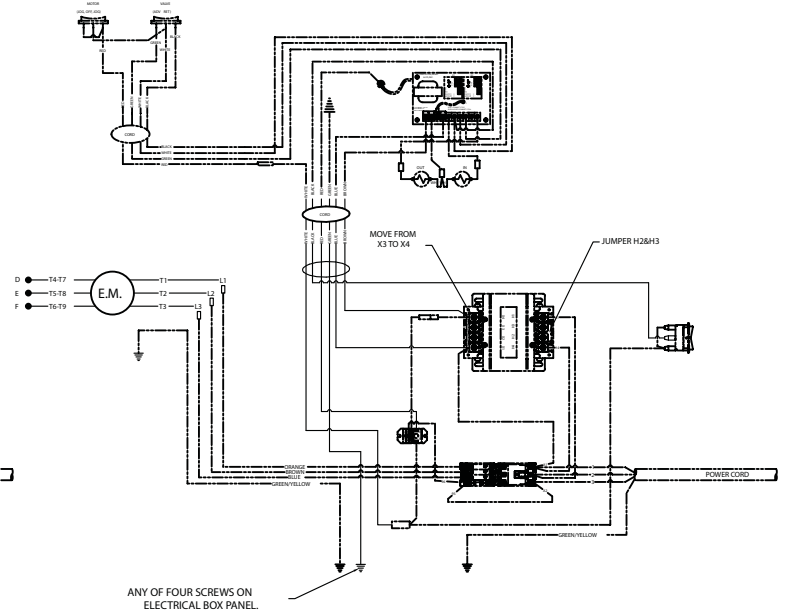
60 Series Electric Power Pump

Wire Configurations

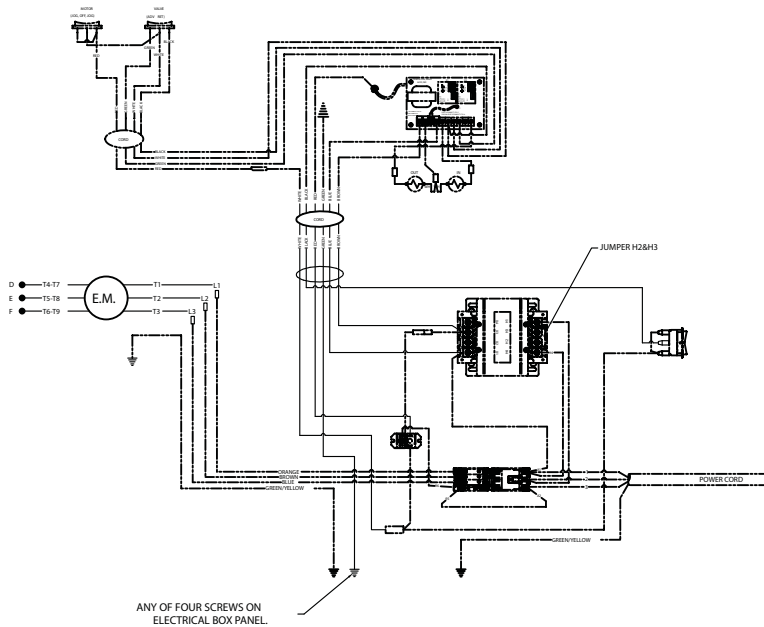
(MODEL PPS)
WIRING DIAGRAM 230V.



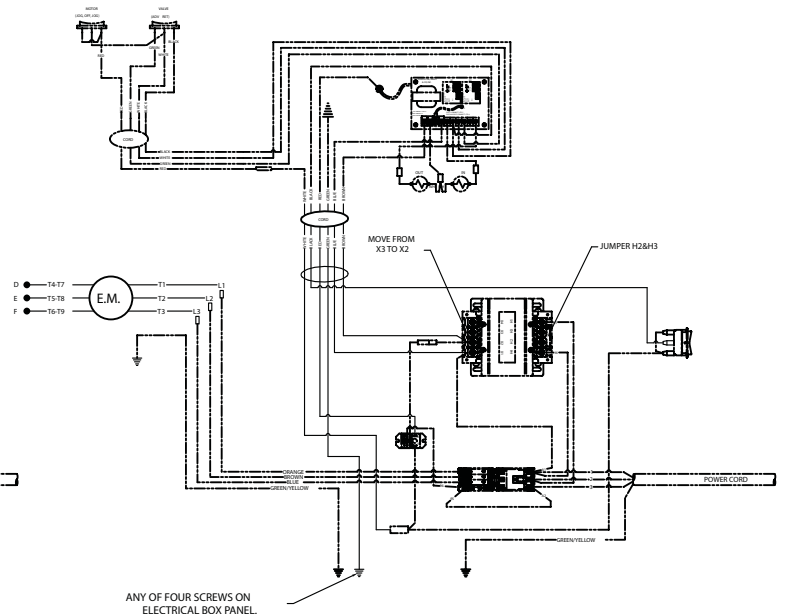
(MODEL PPS)
WIRING DIAGRAM 380V.



(MODEL PPS)
WIRING DIAGRAM 460V.



(MODEL PPS)
WIRING DIAGRAM 575V.

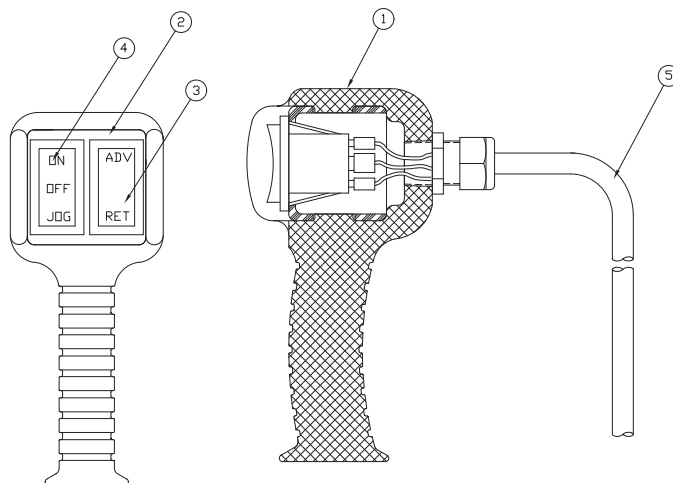
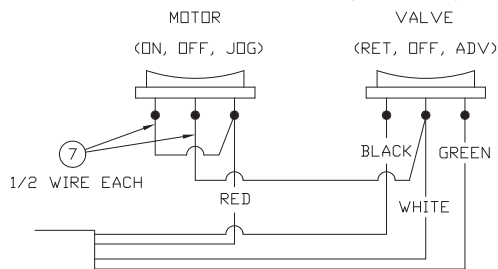


60 Series Electric Power Pump

Pendant Control Devices

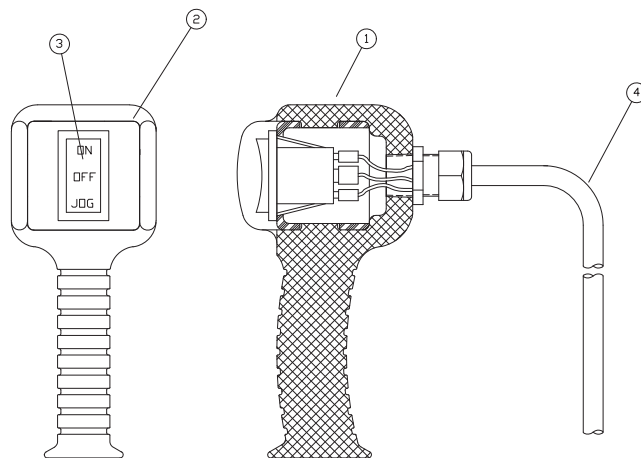
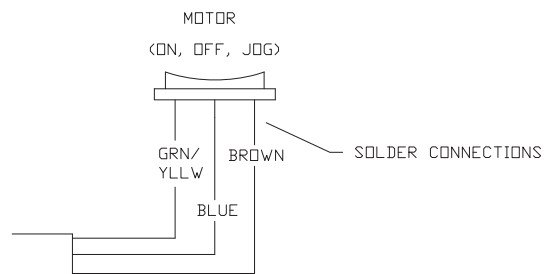
(69379SS) PPS. PENDANT

| ITEM# | DESCRIPTION | PART# | QTY. |
|-------|----------------------|-------|------|
| 01 | PENDANT BODY& RELIEF | 69083 | 1.00 |
| 02 | JUNCTION BOX 2SWITCH | 69151 | 1.00 |
| 03 | SWITCH ADV-RET | 69160 | 1.00 |
| 04 | SWITCH 8961K385 | 69159 | 1.00 |
| 05 | PENDANT CORD | 69370 | 1.00 |
| 07 | WIRE WHITE | 68262 | 1.00 |



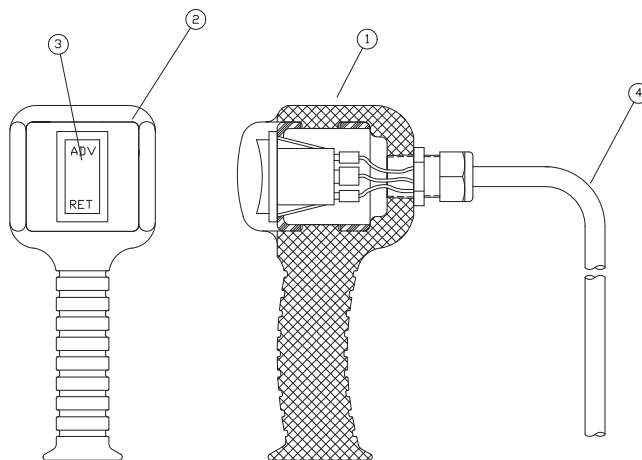
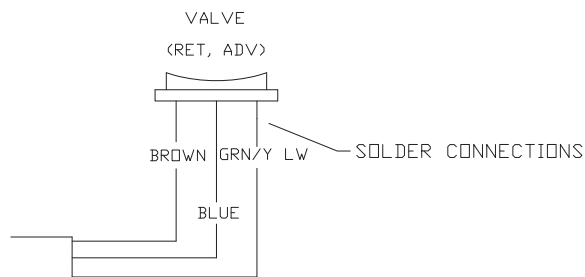
(69380SS) PPM. PENDANT

| ITEM# | DESCRIPTION | PART# | QTY. |
|-------|----------------------|-------|------|
| 01 | PENDANT BODY& RELIEF | 69083 | 1.00 |
| 02 | JUNCTION BOX 1SWITCH | 69150 | 1.00 |
| 03 | SWITCH 8961K385 | 69159 | 1.00 |
| 04 | PENDANT CORD 20' LG | 69381 | 1.00 |



(69382SS) PES. PENDANT

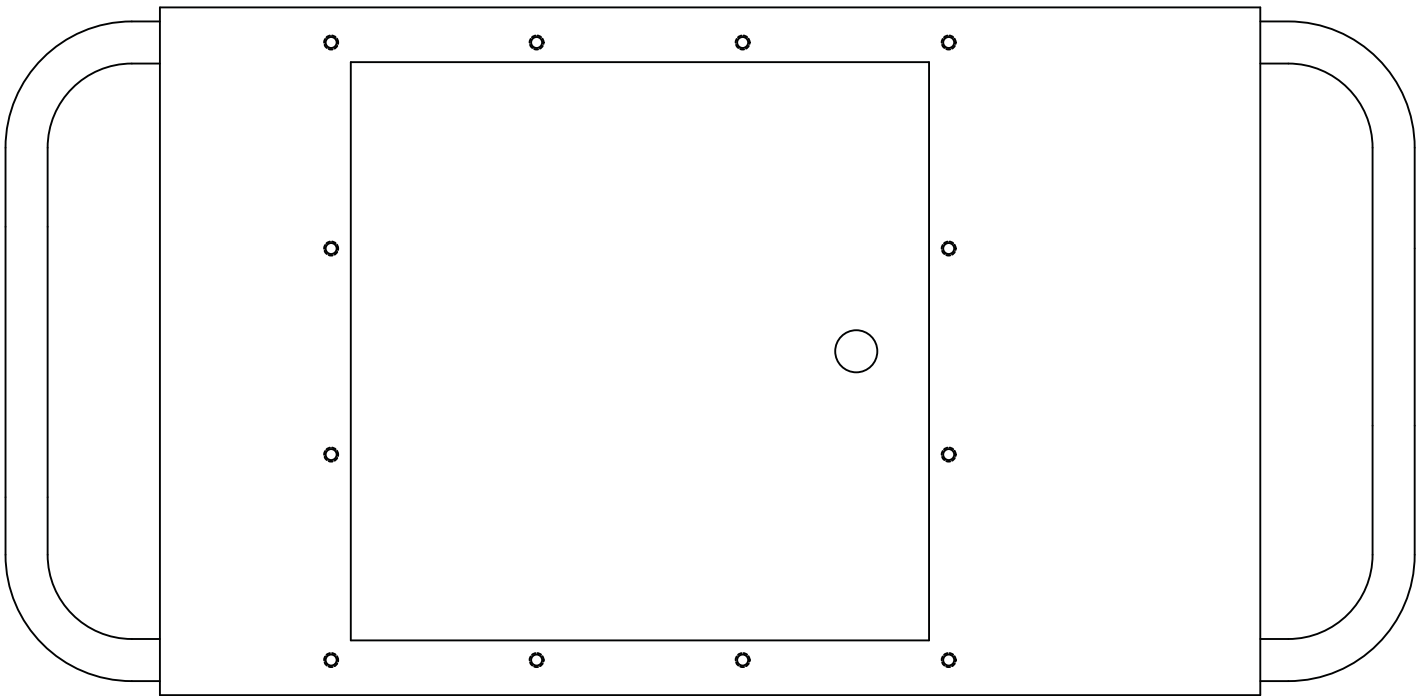
| ITEM# | DESCRIPTION | PART# | QTY. |
|-------|----------------------|-------|------|
| 01 | PENDANT BODY& RELIEF | 69083 | 1.00 |
| 02 | JUNCTION BOX 1SWITCH | 69150 | 1.00 |
| 03 | SWITCH ADV-RET | 69160 | 1.00 |
| 04 | PENDANT CORD 20' LG | 69381 | 1.00 |



60 Series Electric Power Pump

Reservoirs

- (69989G) 5 GALLON RESERVOIR
- (69987G) 10 GALLON RESERVOIR
- (18402G) 20 GALLON RESERVOIR



| | LENGTH | WIDTH | HEIGHT |
|-----------------|--------|---------|--------|
| RES SIZE | | | |
| 5 GAL. | 19 5/8 | 12 5/16 | 8 |
| 10 GAL. | 19 5/8 | 12 5/16 | 12 1/2 |
| 20 GAL. | 19 5/8 | 23 1/2 | 12 1/2 |

| DESCRIPTION | PART# | QTY. |
|---------------------|-------|------|
| GASKET 5/10/20 GAL. | 66014 | 1 |
| SEALING WASHER | 65892 | 12 |
| SCREW | 65891 | 12 |

NOTE: BOTH 5 / 10 / 20 GAL. RESERVOIR
USE SAME MOUNTING HARDWARE