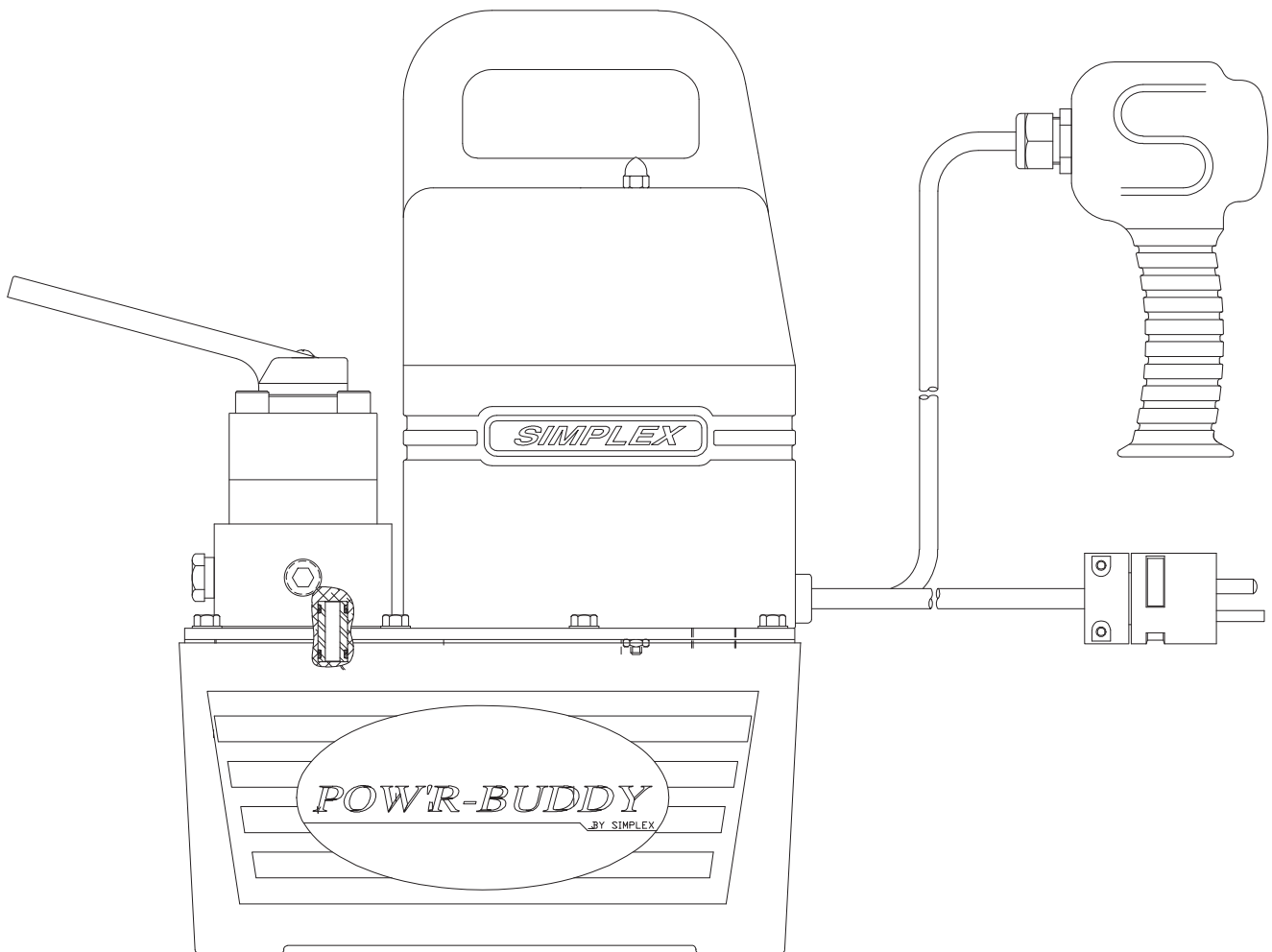


SIMPLEX®

A Division Of Templeton, Kenly & Co., Inc.

PE 10 SERIES ELECTRIC PUMPS

Operating Instructions Manual
For 1/2 hp, 115 Volt and 230 Volt
POW'R-BUDDY
Revision B
12/2006



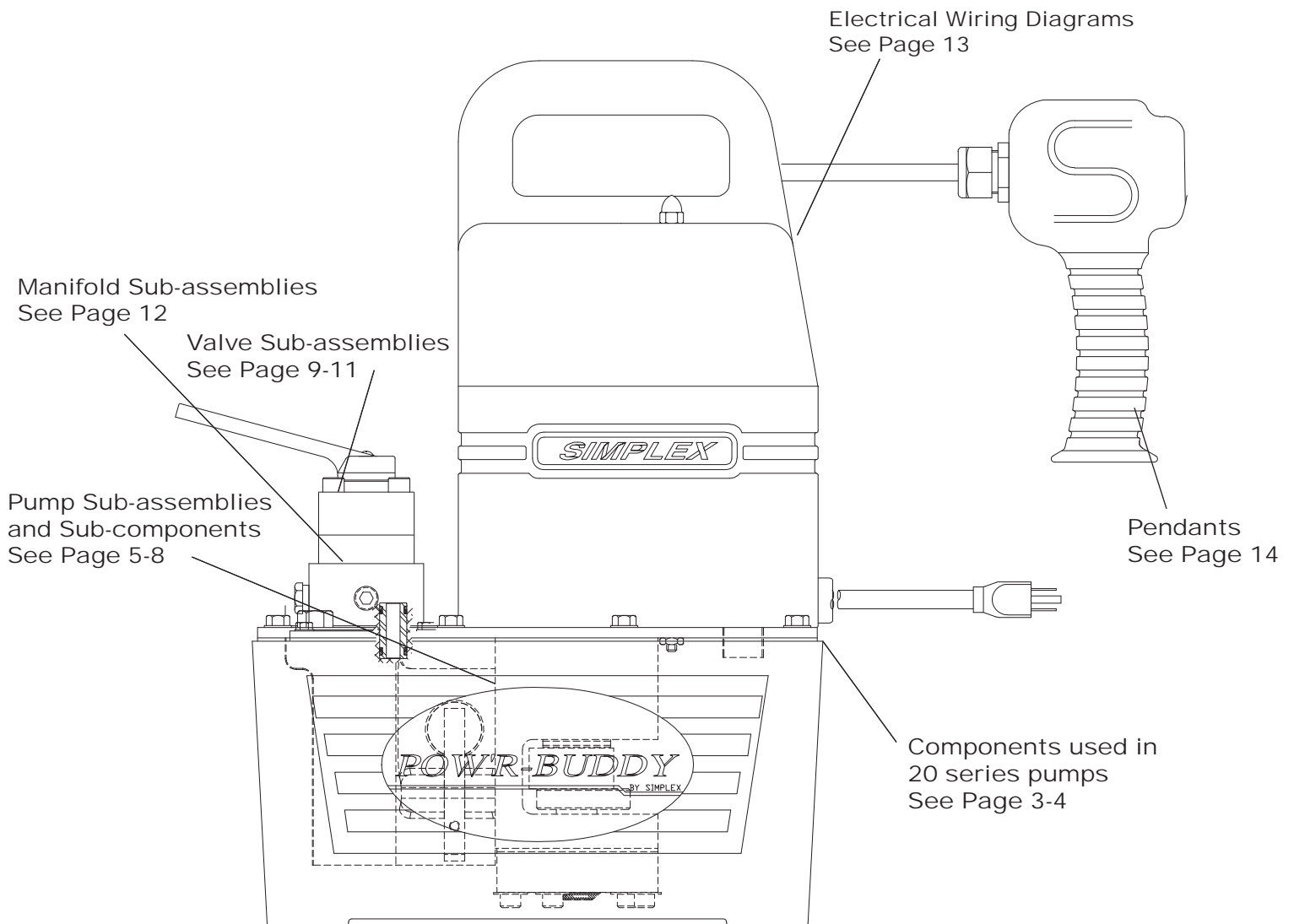
Pow'r-buddy Electric Power Pump

How to Identify Parts for Your Model.

Understanding our model number configurations

Sample Model #	P	E	M	1	0	0	2	
Description	<i>Power Pump Type</i>	<i>Motor Type / Controls</i>	<i>Valve Style</i>	<i>Pump Series</i>	<i>Options</i>	<i>Valve type</i>	<i>Reservoir Size</i>	<i>Motor Voltage</i>
		E = Electric / no pendant	M = Manual Valve	1 = 10 Series	0 = no options	2 = 2 way 2 position 3 = 3 way 3 position 4 = 4 way 3 position	1 = 1 gallon	Blank = 115V A = 230V

Note: This illustration is for reference only. The appearance of your unit may differ from the unit shown.

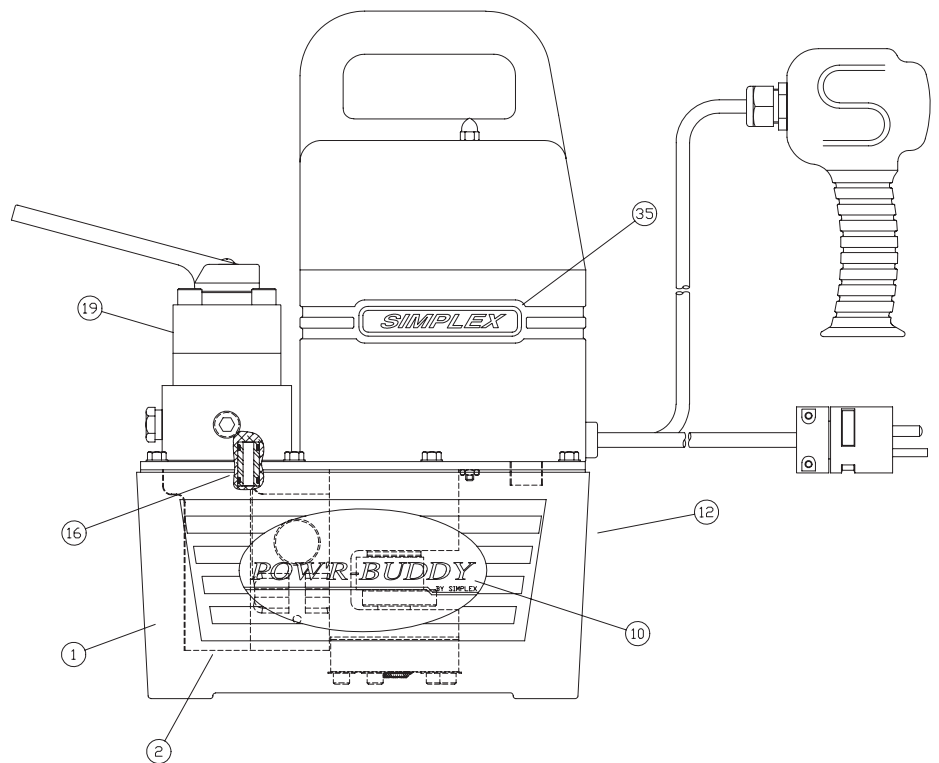
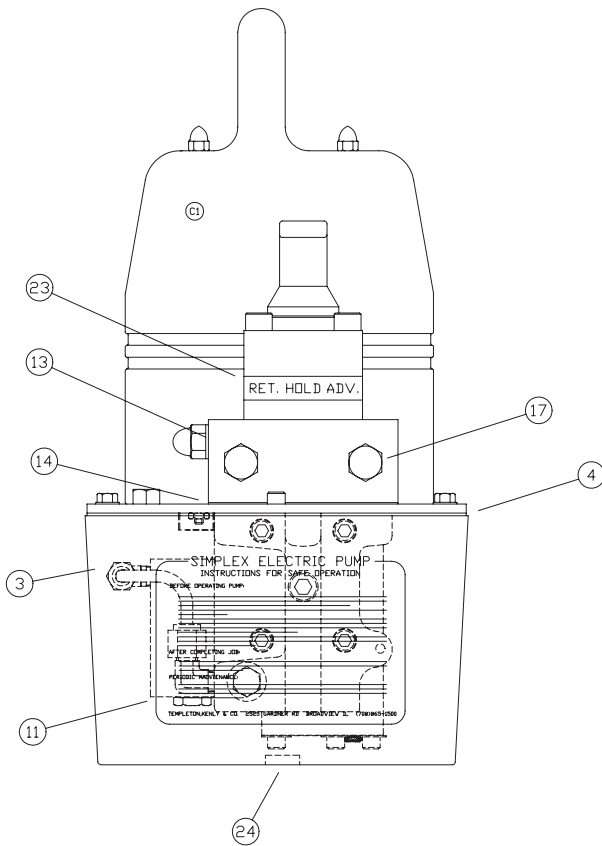
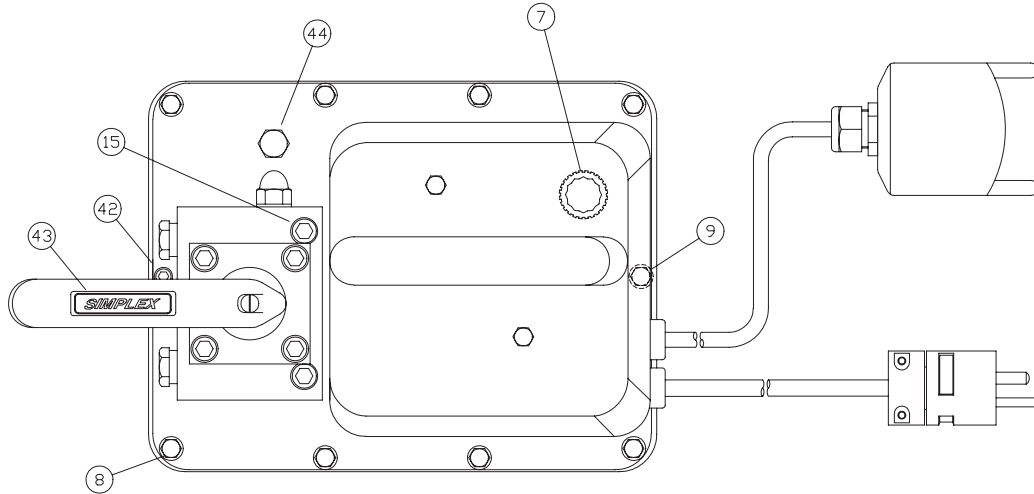


Pow'r-buddy Electric Power Pump

Common components used in pumps

NOTE: This illustration is for reference only. The appearance of your unit may differ from unit shown.

(PEM SERIES)



Pow'r-buddy Electric Power Pump

Common components Parts list

(PEM SERIES)

ITEM #	DESCRIPTION	PART #		QTY.
		115 V.	230 V.	
00	FUNNEL	44278	44278	1.00
01	AO1 SIMPLEX 1GAL OIL	18135	18135	1.00
02	POW'R BUD SUB PUMP A	SEE PAGE 5-6		1.00
03	POW'R BUDDY RESERVOIR	43518	43518	1.00
04	POW'R BUD RES GASKET	43565	43565	1.00
07	FILLER PLUG	68571	68571	1.00
08	SCREW 1/4-20X3/4 S.T	69249	69249	8.00
09	SCREW 1/4-20X1" S.T	86095	86095	1.00
10	POW'R BUDDY LOGO	44805	44805	2.00
11	LABEL SAFE USE ELEC	68068	68068	1.00
12	BLANK DECAL 3 X 4	87305	87305	1.00
13	MANIFOLD ASSM	SEE PAGE 12		1.00
14	VALVE GASKET	69242	69242	1.00
15	SHCS 3/8-16 X 2 1/4	93598	93598	3.00
16	ADAPTER ASSY.	SEE PAGE 9		1.00
17	HEX ST. PIPE PLUG 3/8 NPTF	87145	87145	2.00
19	VALVE ASSM	SEE PAGE 9-11		1.00
23	LABEL, POSITION	68069	68069	1.00
24	MAGNET	66021	66021	1.00
35	SIMPLEX LOGO	88186	88186	2.00
42	SHCS 1/4-20 X 3/4 LG	93582	93582	1.00
43	SIMPLEX LOGO	88187	88187	1.00
44	PLUG SAE #4	68258	68258	1.00

Pow'r-buddy Electric Power Pump

Motor Sub Assembly

(43571) PUMP ASM 115V.

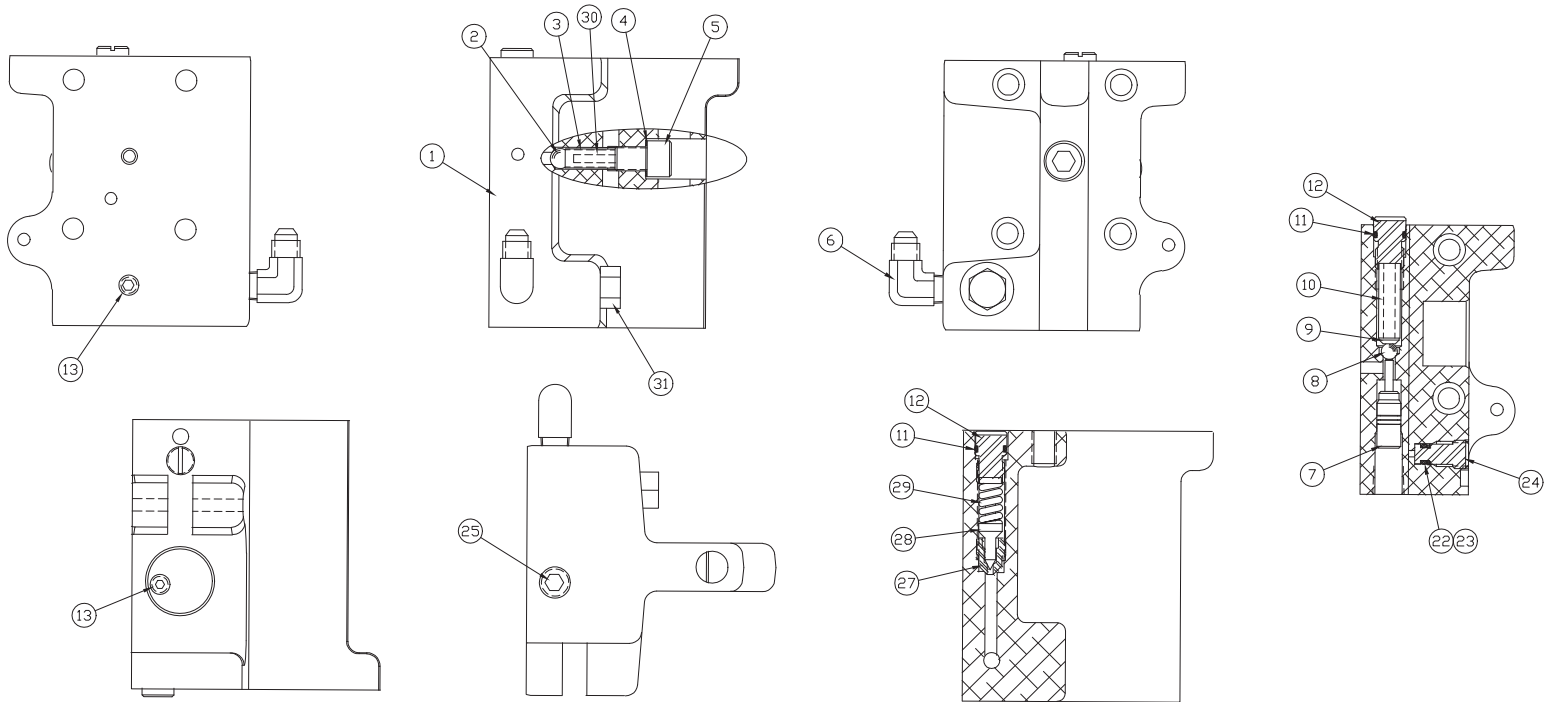
(44546) PUMP ASM 230V.

ITEM #	DESCRIPTION	PART #		QTY.
		115 V.	230 V.	
01	POW'R BUD VLV ASM.	SEE PAGE 7		1.00
02	POW'R BUD PUMP ASM	SEE PAGE 8		1.00
03	POW'R BUD COVR PLATE	43517P	43517P	1.00
04	GEN II MOTOR GASKET	45532	45532	1.00
05	POW'R BUD MOTOR 1	43516	44542	1.00
06	HEX JAM NUT 10-32	89958	89958	2.00
07	POW'R BUD TUBE	43542	43542	1.00
08	SHCS 5/16-24 X 1" LG	84188	84188	4.00
09	SHCS #10-24 X 0.50 LG	85009	85009	3.00
10	FHSCS 10-24 X 0.50LG	43557	43557	1.00
11	POW'R BUD BRACKET	43546	43546	1.00
12	CIRCUIT BOARD ASM DC	44444	44444	1.00
13	BREATHER VENT	69264	69264	1.00
14	PLUG & CORD (230V.cord only)	43562	68469R	1.00
15	STRAIN RELIEF	68604	68604	2.00
16	ACORN NUT 10-32 PLTD	43558	43558	2.00
17	DUMP PENDANT	SEE PAGE 14		1.00
18	SPADE, TERMINAL	65887	65887	1.00
19	SCREW, FILL HD MACH	98250	98250	1.00
20	O-RING 13/16X1.00	5602117	5602117	1.00
21	SEALING NUT	43568	43568	1.00
25	TAPE	68525R	68525R	0.15
26	POWR BUD SHROUD	43519	43519	1.00
27	PLUG 20 AMPS-250V	N/A	87093	1.00
28	LOCKWASHER-10	Y0010765	Y0010765	2.00
30	PUSH NUT BOLT RET#10	44911	44911	2.00
31	NIPPLE 1/4NPT X 1.5L	69442	69442	1.00
32	PIPE COUPLING 1/4	80241	80241	1.00
33	GASKET PUMP	45902	45902	1.00

Pow'r-buddy Electric Power Pump

Sub Pump Assembly

(43570) PUMP VLV. ASSEMBLY



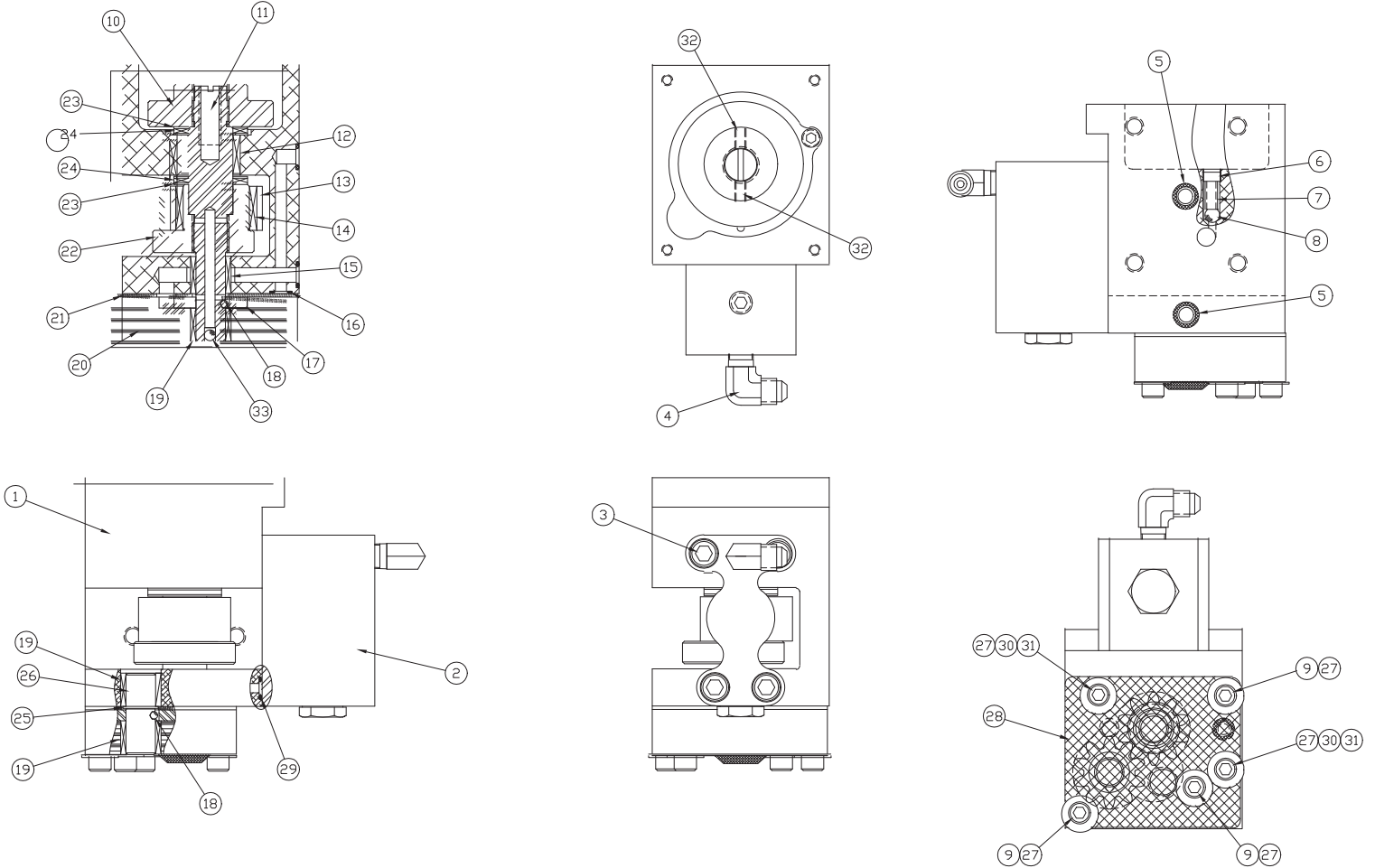
ITEM #	DESCRIPTION	PART #	QTY.
01	PB VALVE BODY SECT.	43269	1.00
02	BALL 5/16"	91701	1.00
03	POW'R JUNCTION SPRING	43282	1.00
04	GASKET 25/64X19/32	85726	1.00
05	SCREW, BALL STOP	68226	1.00
06	MALE ELBOW 1/8 PIPE	69354	1.00
07	UNLOADING PISTON ASM	43687	1.00
08	BALL 1/4"	92549	1.00
09	POW'R BUDDY SPRING CAP	43277	1.00
10	SPRING UNLOADING VLV	68981	1.00
11	O-RING 3/8X1/2	5602012	2.00

ITEM #	DESCRIPTION	PART #	QTY.
12	POW'R BUDDY ADJ SCREW	43274	2.00
13	1/16 SOC PIPE PLUG	97641	2.00
22	O-RING 3/16X5/16	5602008	1.00
23	BACKUP WASHER	56080087	1.00
24	POW'R BUD DUMP PLUG	43283	1.00
25	1/4 SOC PIPE PLUG	93950	1.00
27	SEAT - EXT RELIEF	68004	1.00
28	CONE - EXT RELIEF	68003	1.00
29	SPRING - RELIEF VALVE	66085	1.00
30	ROLL PIN 1/8X15/16	81332	1.00
31	PLUG SAE #4	68258	1.00

Pow'r-buddy Electric Power Pump

Sub Pump Assembly

(43544) PUMP ASSEMBLY



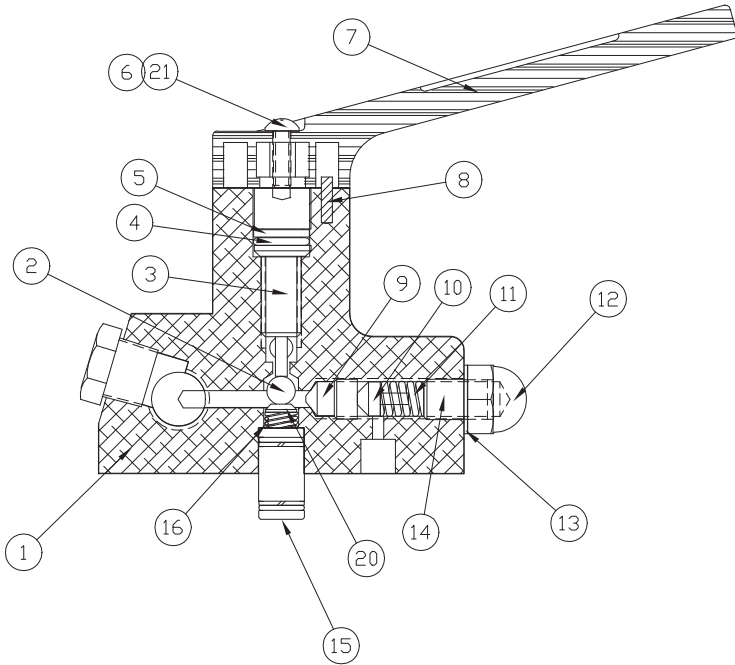
ITEM #	DESCRIPTION	PART #	
		43544	QTY.
01	POW'R BUD C PUMP MAC	43270	1.00
02	PISTON BLOCK ASSEMBLY	43547	1.00
03	SHCS 5/16-24 X 1.75	69392	4.00
04	MALE ELBOW 1/8 PIPE	69354	1.00
05	O-RING 5/16X7/16	5602011	2.00
06	HOLLOW SET SCREW 5/16-24	43280	1.00
07	RESTRICTOR SPRING	43281	1.00
08	BALL 1/4"	92549	1.00
09	SHCS 1/4-28 X 1.25LG	40118	3.00
10	POW'R BUD REDUC GEAR	43520	1.00
11	POW'R BUDDY PUMP SHAFT	43278	1.00
12	ROLL BRG 3/4ID X 5/8	43346	1.00
13	POW'R BUD ECC RING	43353	1.00
14	ROLL BRG 1 1/8 X 3/4	43347	1.00
15	BEARING	68891	1.00
16	O RING 1/4X3/8	5602010	1.00
17	GEAR-PUMP .1875	68883	2.00

ITEM #	DESCRIPTION	PART #	
		43544	QTY.
18	BALL 1/8"	90906	2.00
19	ROLL BEAR 1/2IDX1/2	43345	3.00
20	POW'R BUD BOTTOM PLATE	43272	1.00
21	POW'R BUDDY WEAR PLATE	43279	1.00
22	POW'R BUDDY ECCENCTRIC RING	43275	1.00
23	THRUST WASHER 3/4"ID	43349	4.00
24	THRUST BRG 3/4" ID	43348	2.00
25	POW'R BUDDY IDLER SHAFT	43276	1.00
26	RING-RETAINING	68892	1.00
27	WASHER SS 1/4"	88429	5.00
28	POW'R BUDDY SCREEN	43548	1.00
29	O-RING 3/16X5/16	5602008	1.00
30	TUBE-GUIDE .11	68894	2.00
31	SHCS 1/4-28 X 1 1/2	89148	2.00
32	SET SCR 10-24 X 1/4	44596	2.00
33	BALL 3/16"	90548	1.00

Pow'r-buddy Electric Power Pump

Valve Sub Assembly

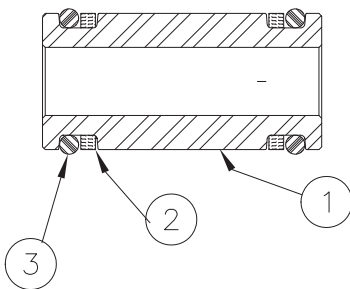
(69094) 2 WAY MANUAL



ITEM #	DESCRIPTION	PART#	
		2 WAY VAL.	QTY.
01	2 WAY VALVE	69092	1.00
02	BALL	91701	1.00
03	VALVE STEM	69095	1.00
04	O-RING	5602111	1.00
05	BACKUP WASHER	5608111	1.00
06	SCREW	44595	1.00
07	VALVE HANDLE	69091	1.00
08	ROLL PIN	93835	2.00
09	SEAT - EXT RELIEF	68004	1.00
10	CONE - EXT RELIEF	68003	1.00
11	SPRING - RELIEF VALVE	66085	1.00
12	ACORN NUT	69105	1.00
13	WASHER	69124	1.00
14	ADJUSTING SCREW	69104	1.00
15	ADAPTER ASSY.	68963	1.00
16	SPRING	68384	1.00
NS	PIPE PLUG	84084	1.00
18	1/4 SOC PIPE PLUG	93950	1.00
NS	HEX ST. PIPE PLUG	87145	1.00
20	SPRING CAP	69634	1.00
21	LOCKWASHER	Y0010765	1.00

NS = NOT SHOWN

(68963) ADAPTER ASM.

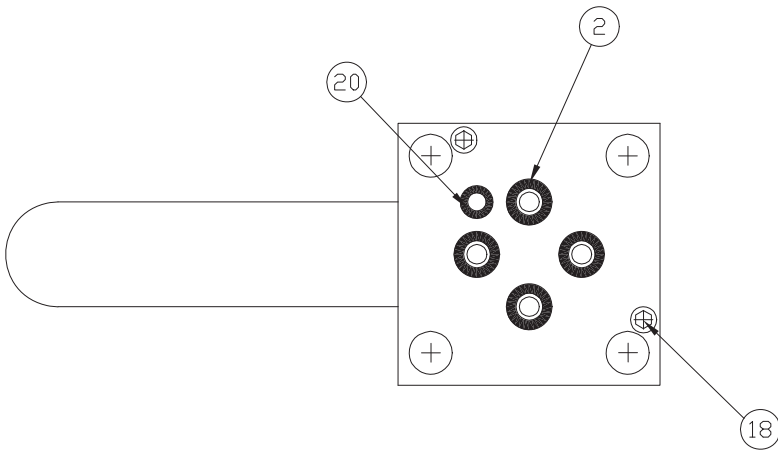
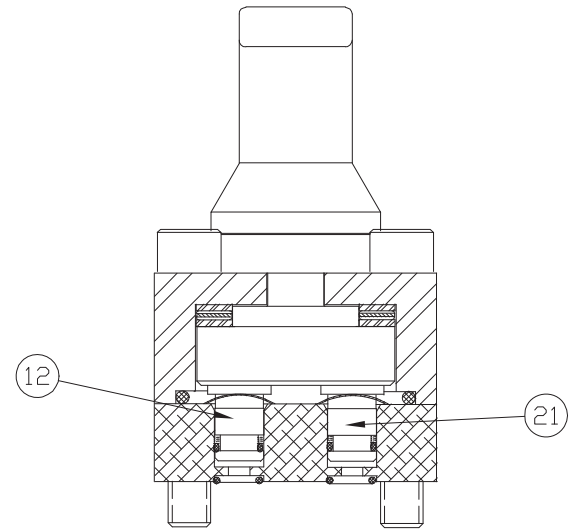
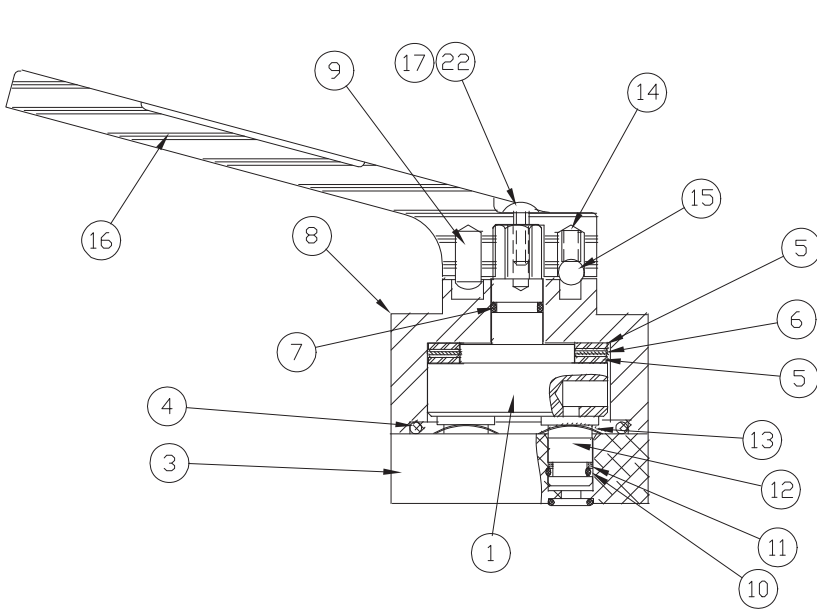


ITEM #	DESCRIPTION	PART #	QTY.
3	O-RING 3/8X1/2	5602012	2.00
2	B-U RING	65881	2.00
1	VALVE ADAPTER	88073	1.00

Pow'r-buddy Electric Power Pump

Valve Sub Assemblies

(69691) 3 WAY MANUAL



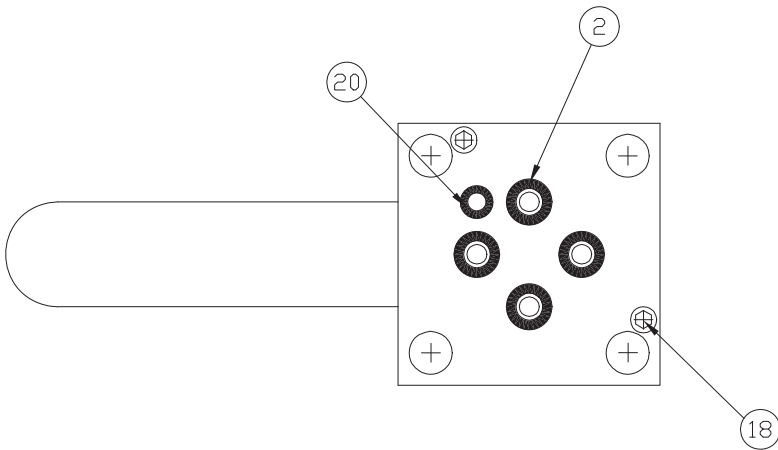
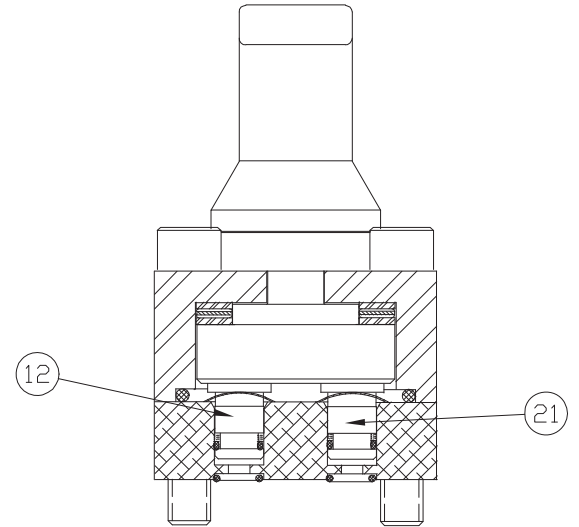
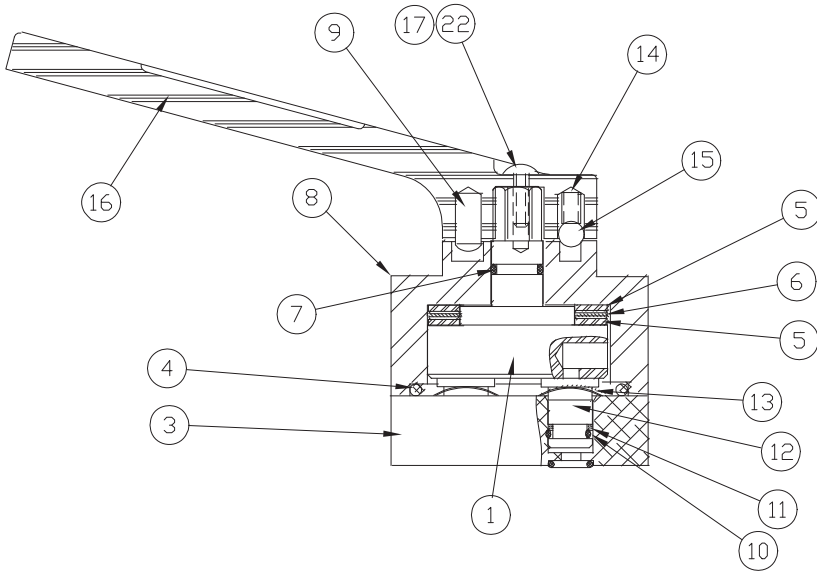
ITEM #	DESCRIPTION	PART#	
		3 WAY VAL	QTY.
01	VALVE ROTOR	43762	1.00
2	O-RING	56020112	2.00
03	SUBPLATE- VALVE	68180	1.00
04	O-RING	5602225	1.00
05	THRUST WASHER	68026	2.00
06	THRUST BEARING	68155	1.00
07	O-RING	5602012	1.00
08	UPPER VALVE BLOCK	69135	1.00
09	DRIVE LOK PIN	93804	1.00
10	O-RING	5602011	6.00
11	WASHER	65882	4.00
12	SHEAR SEAL	68029	3.00
13	SPRING WASHER	68028	4.00
14	DETENT SPRING	68025	1.00
15	BALL	92549	1.00
16	VALVE HANDLE	69091	1.00
17	SCREW	44595	1.00
18	SCREW	85317	2.00
NS	SCREW	93598	4.00
20	O-RING	5602008	1.00
21	SHEAR SEAL	68181	1.00
22	LOCKWASHER	Y0010765	1.00

NS=NOT SHOWN

Pow'r-buddy Electric Power Pump

Valve Sub Assemblies

(69101) 4 WAY MANUAL



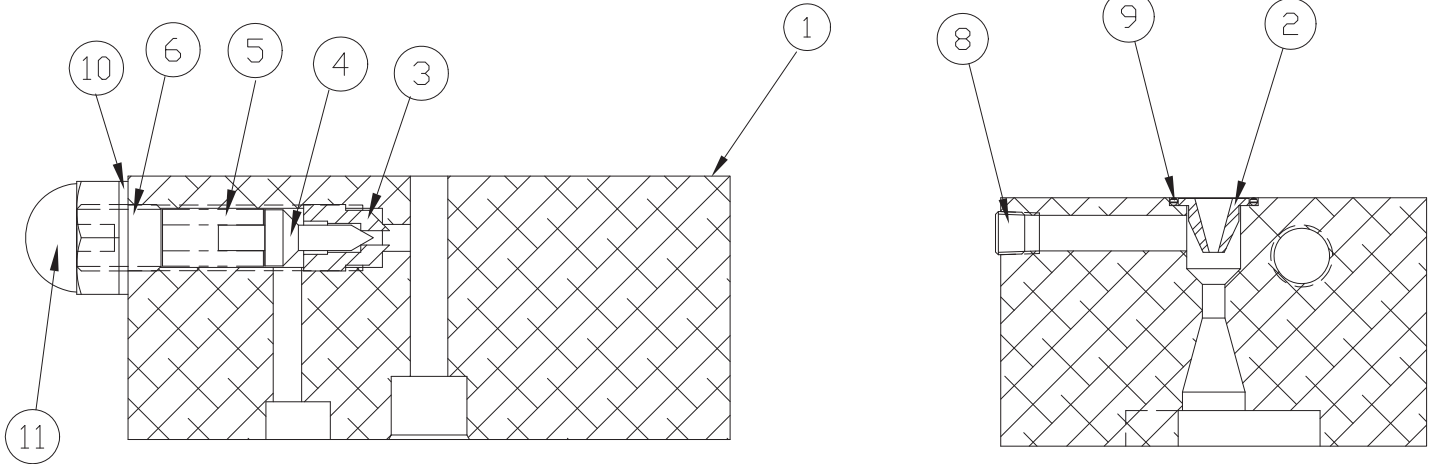
ITEM #	DESCRIPTION	PART#	
		4 WAY VAL	QTY.
01	VALVE ROTOR	43762	1.00
2	O-RING	56020112	4.00
03	SUBPLATE- VALVE	68180	1.00
04	O-RING	5602225	1.00
05	THRUST WASHER	68026	2.00
06	THRUST BEARING	68155	1.00
07	O-RING	5602012	1.00
08	UPPER VALVE BLOCK	69135	1.00
09	DRIVE LOK PIN	93804	1.00
10	O-RING	5602011	3.00
11	WASHER	65882	3.00
12	SHEAR SEAL	68029	1.00
13	SPRING WASHER	68028	3.00
14	DETENT SPRING	68025	1.00
15	BALL	92549	1.00
16	VALVE HANDLE	69091	1.00
17	SCREW	44595	1.00
18	SCREW	85317	2.00
NS	SCREW	93598	4.00
20	O-RING	5602008	1.00
21	SHEAR SEAL	68181	2.00
22	LOCKWASHER	Y0010765	1.00

NS=NOT SHOWN

Pow'r-buddy Electric Power Pump

Manifold Sub Assemblies

(69570) 3 WAY STANDARD

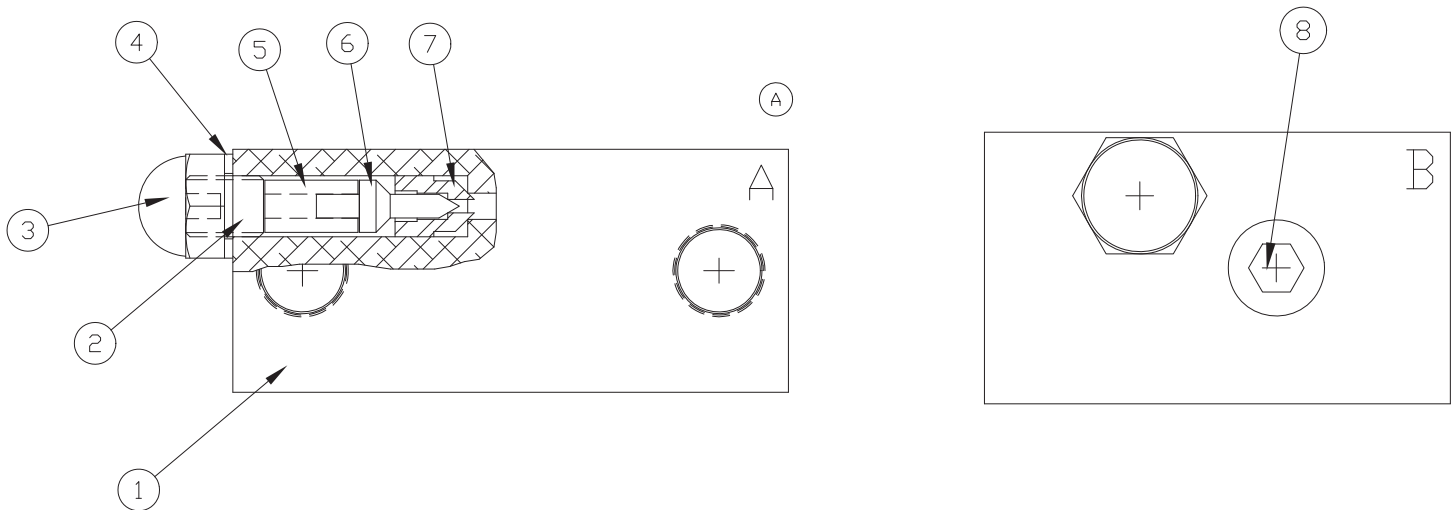


ITEM#	DESCRIPTION	PART#	QTY.
		3 WAY MAN. ASM	
01	RET. VALVE MANIFOLD	69569	1.00
02	NOZZLE-VALVE	68197	1.00
03	SEAT - EXT RELIEF	68004	1.00
04	CONE - EXT RELIEF	68003	1.00
05	SPRING - RELIEF VALVE	66085	1.00
6	ADJUSTING SCREW	69104	1.00

ITEM#	DESCRIPTION	PART#	QTY.
		3 WAY MAN. ASM	
NS	PIPE PLUG	84084	3.00
NS	PIPE PLUG-FLUSH	40049	2.00
09	O-RING	5602014	1.00
10	WASHER	69124	1.00
11	ACORN NUT	69105	1.00

NS = NOT SHOWN

(69100) 4 WAY STANDARD



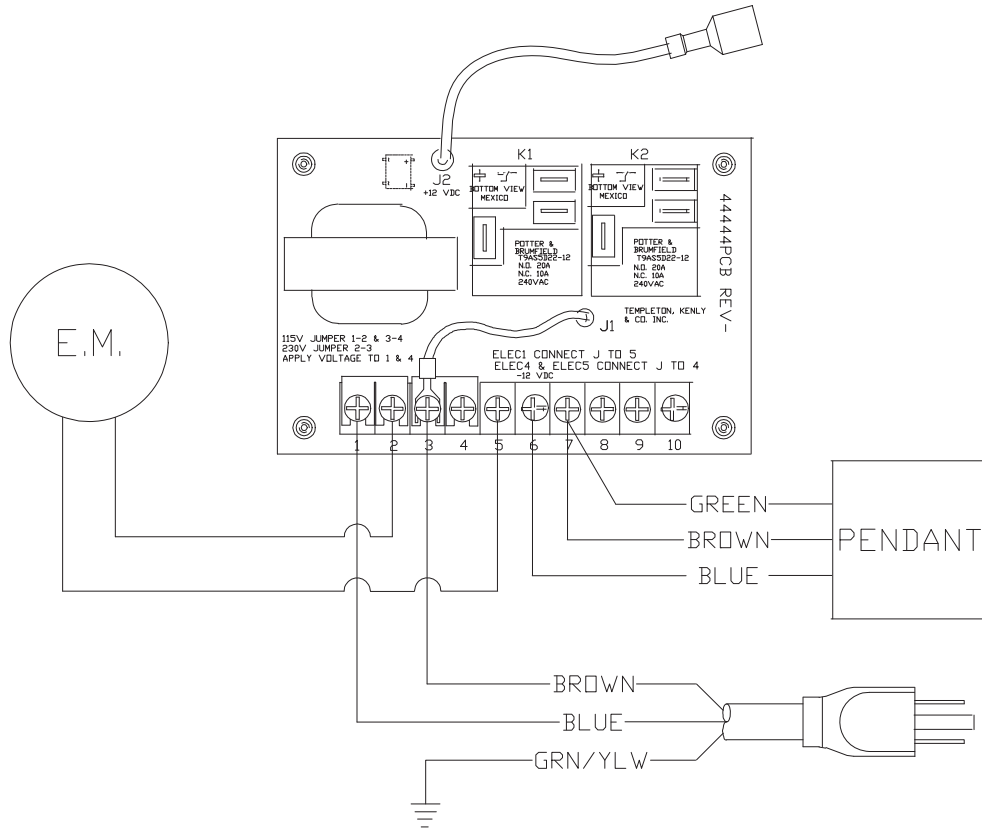
ITEM#	DESCRIPTION	PART#	QTY.
		4 WAY MAN. ASM	
01	VALVE MANIFOLD	69099	1.00
02	ADJUSTING SCREW	69104	1.00
03	ACORN NUT	69105	1.00
4	WASHER	69124	1.00

ITEM#	DESCRIPTION	PART#	QTY.
		4 WAY MAN. ASM	
05	SPRING - RELIEF VALVE	66085	1.00
06	CONE - EXT RELIEF	68003	1.00
07	SEAT - EXT RELIEF	68004	1.00
08	PIPE PLUG	84084	2.00

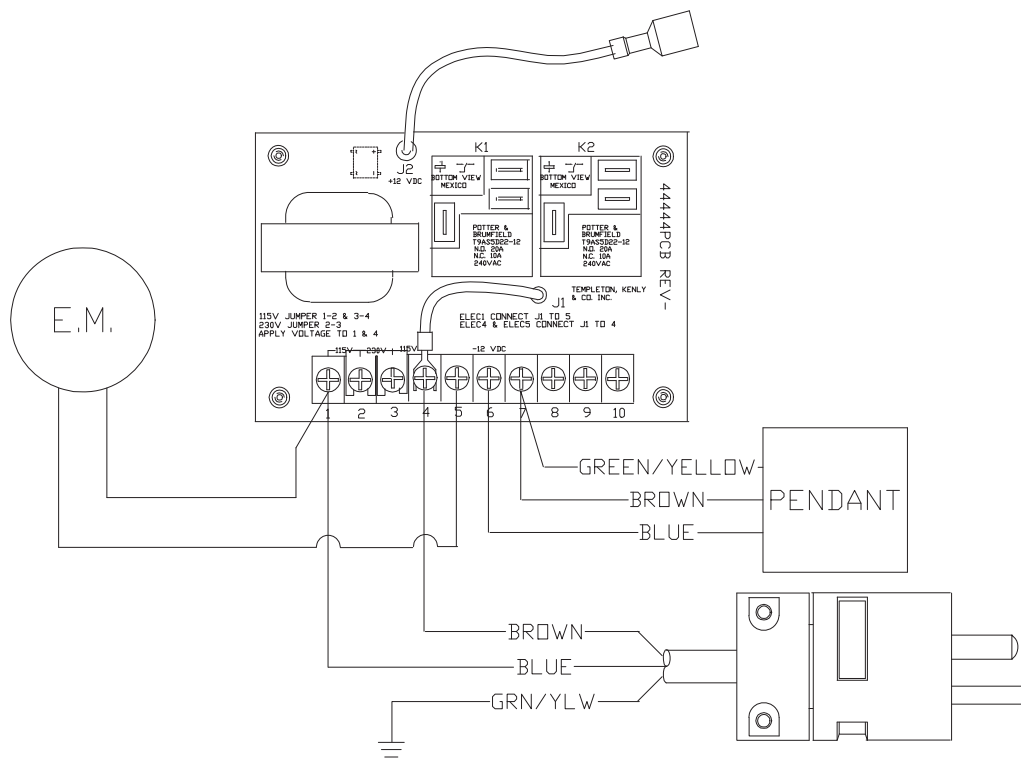
Pow'r-buddy Electric Power Pump

Wire Configurations

(PEM 10 SERIES) 115 VOLT



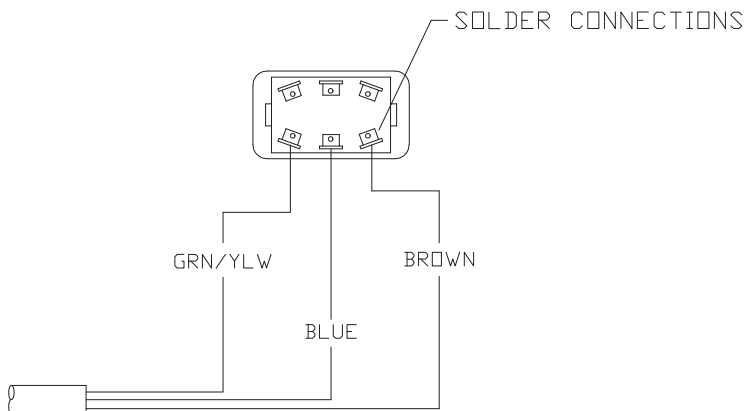
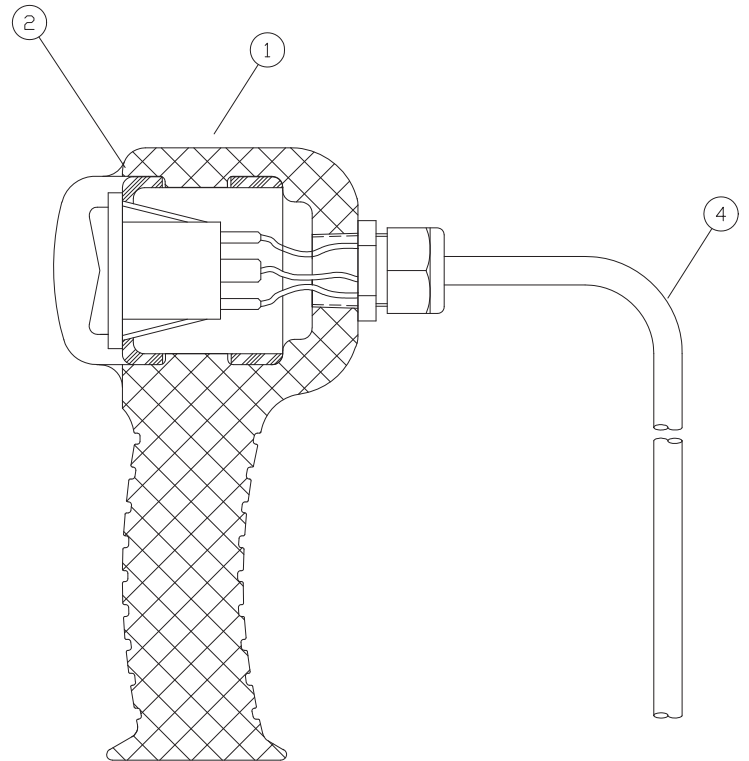
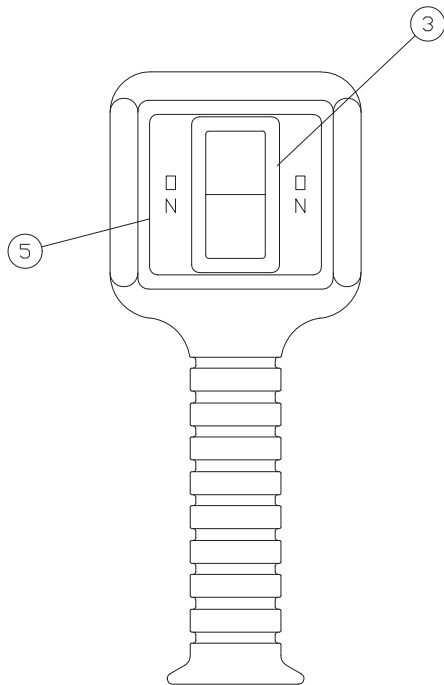
(PEM 10 SERIES) 230 VOLT



Pow'r-buddy Electric Power Pump

Pendant Control

(43563) DUMP PENDANT



ITEM #	DESCRIPTION	PART #	QTY.
01	PENDANT BODY& RELIEF	69083	1.00
02	JUNCTION BOX 1SWITCH	69150	1.00
03	SWITCH ON MOMENTARY	69487	1.00
04	18-3 POWER CORD IEC	43561	10.00
05	PENDANT LABEL ON	69995	1.00